

PARTS LIST

WESTERBEKE DS5, DS7, W7
Marine Diesel Engines

WESTERBEKE WPD3, WPD4
Marine Diesel Generators

Publication Number 12137

Issue Date December 1, 1977

Edition 5



*WESTERBEKE CORPORATION
MYLES STANDISH INDUSTRIAL PARK
150 JOHN HANCOCK ROAD, TAUNTON, MA 02780-7319*

PARTS LIST

WESTERBEKE DS5, DS7, W7
Marine Diesel Engines

WESTERBEKE WPD3, WPD4
Marine Diesel Generators

Publication Number 12137

Issue Date December 1, 1977

Edition 5

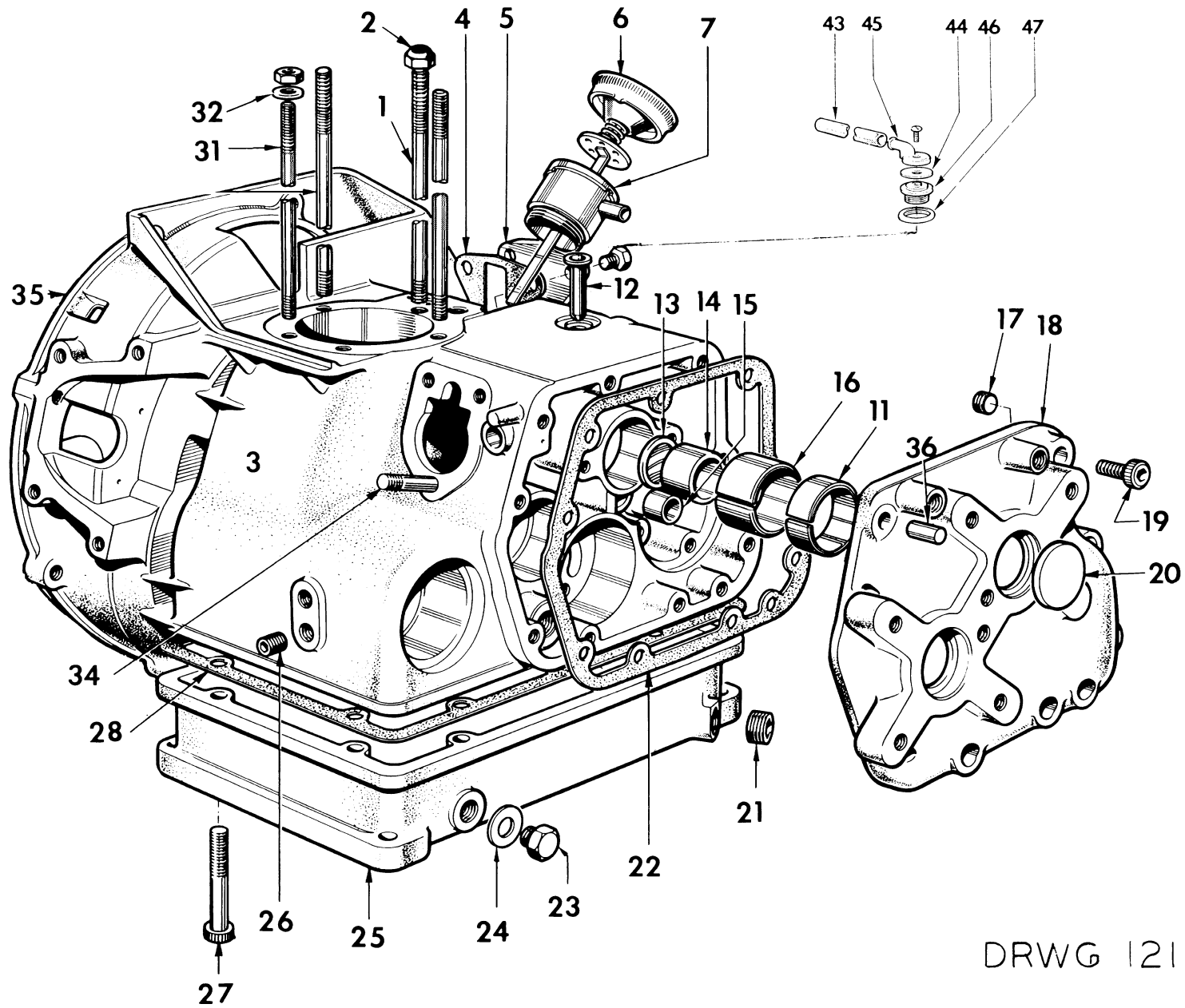


NOTES ON USING THIS PARTS LIST

1. Unit of issue for all linear commodities is inches (not feet or yards).
2. Start looking in the contents -- if you cannot find any item, check miscellaneous page.
3. Please -- Report errors and omissions to us via speed letter.
(Attn: Publications Department)
4. Quantity codes:
NA - Not applicable
AR - As required
5. When ordering repair parts the Model and Serial Number are essential, including the AB1W or AC1W designation. This information can be found on the nameplate located on the left side of the bellhousing.

PARTS LIST CONTENTS

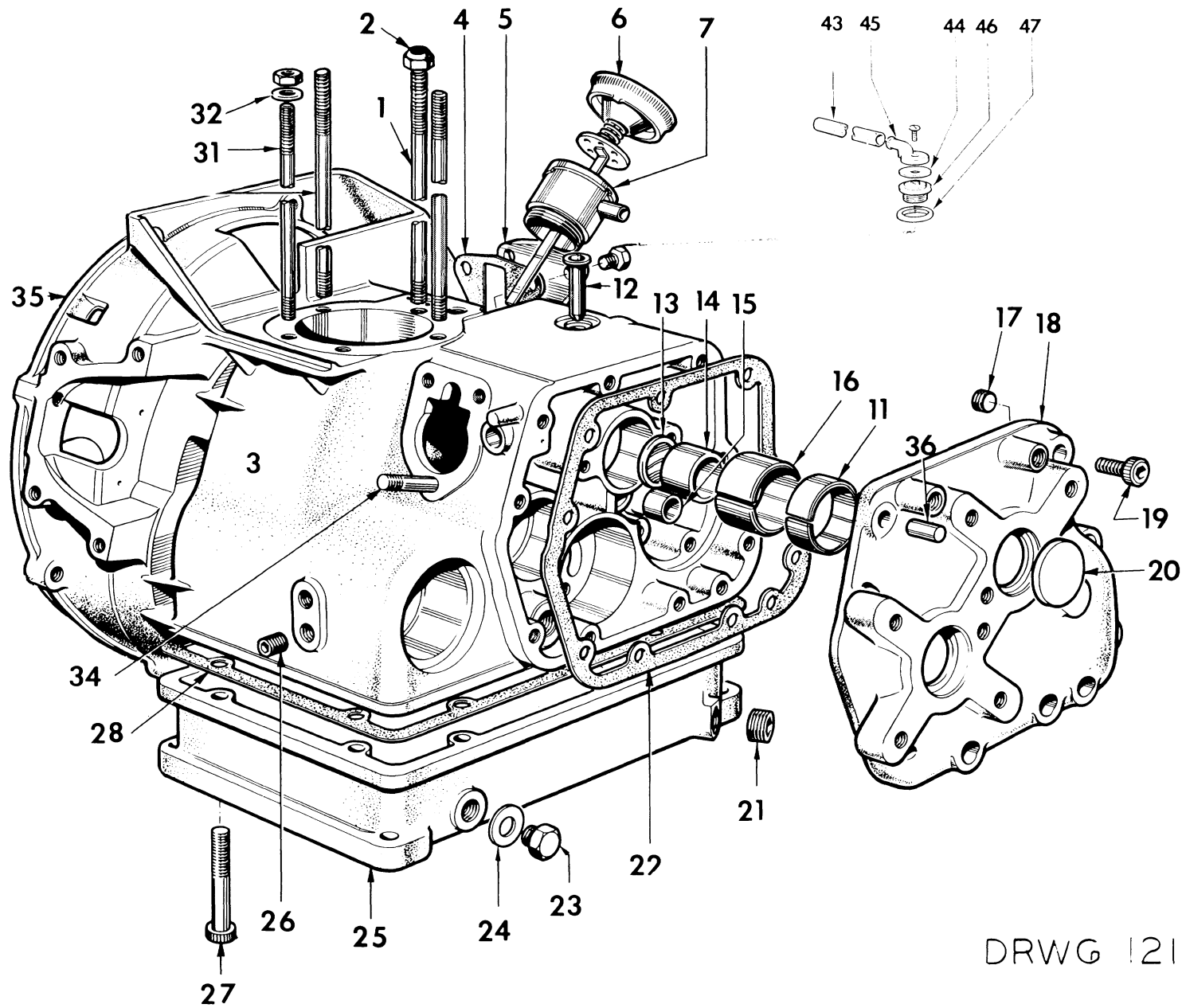
WESTERBEKE 7/DS/WPD3/WPD4: CRANKCASE	203
WESTERBEKE 7/DS/WPD3/WPD4: CYLINDER HEAD - BLOCK	207
WESTERBEKE 7/DS/WPD3/WPD4: CRANKSHAFT - PISTON	211
WESTERBEKE 7/DS/WPD3/WPD4: CAMSHAFT - GOVERNOR	215
WESTERBEKE 7/DS/WPD3/WPD4: VARIABLE SPEED AND IDLER	219
WESTERBEKE 7/DS/WPD3/WPD4: INTAKE - EXHAUST	221
WESTERBEKE 7/DS/WPD3/WPD4: LUBE OIL SYSTEM	223
WESTERBEKE 7/DS/WPD3/WPD4: FUEL SYSTEM	225
WESTERBEKE 7/DS/WPD3/WPD4: WATER PUMP	227
WPD4 - COOLING SYSTEM - 1976	231
WESTERBEKE 7 - COOLING SYSTEM - 1976	233
WESTERBEKE 7 - COOLING SYSTEM - SEPTEMBER 1977	235
WESTERBEKE 7/DS/WPD3/WPD4: BACK END ARRANGEMENTS	237
PROPULSION ELECTRICAL: STARTER - GENERATOR	239
PROPULSION ELECTRICAL: STARTER - ALTERNATOR	241
GENERATOR CONTROLS: 3 KW PC	243
GENERATOR CONTROLS: 3 KW & 4 KW YCB	245
3 KW PC GENERATOR	247
YCB GENERATOR	249
YCB BATTERY CHARGER - FEBRUARY 1977	251
DS: MOUNTS - EXTERNAL COMPONENTS	253
WPD3: MOUNTS - EXTERNAL COMPONENTS	255
WPD4: MOUNTS - EXTERNAL COMPONENTS	257
WESTERBEKE 7: MOUNTS - EXTERNAL COMPONENTS	259
TYPE SSR (W7/DS ENGINES) & SSL (4-60 ENGINE) TRANSMISSION	261
WESTERBEKE 7/DS/WPD3/WPD4: MISCELLANEOUS	264



DRWG 12122

WESTERBEKE 7/DS/WPD3/WPD4: CRANKCASE

REF	PN	NAME	REMARKS	QUAN
1	17315	STUD	CYLINDER HEAD - LONG	1
2	17492	NUT	SELF LOCKING	1
3	20513	ENGINE	COMPLETE THROUGH FLYWHEEL	1
4	17330	GASKET	FUEL LIFT PUMP COVER	1
5	17329	COVER	FUEL LIFT PUMP	1
6-1	17316	DIPSTICK	COMPLETE ASSEMBLY - DS/WPD3	1
6-2	23053	DIPSTICK	ASSEMBLY - TO 1275 DS/WPD3	1
6-3	23054	DIPSTICK	ASSEMBLY - DS/WPD3	1
6-4	22360	DIPSTICK	ASSEMBLY - FROM 1873 DS/WPD3	1
6-5	22361	DIPSTICK	ASSEMBLY - FROM 579 W7/WPD4	1
6-6	23056	GASKET	FILLER CAP	1
7	17333	HOUSING	OIL FILL	1
9-1	17335	TUBE	BREATHER	1
9-2	23059	TUBE	FILLER CAP - DS/WPD3	1
10	17334	CLAMP	BREATHER TUBE	1
11	17318	BEARING	CAMSHAFT - GEAR END	1
12	17331	BUSHING	OPERATING SHAFT - FUEL PUMP LEVER	1
13	17311	PLUG	CAMSHAFT BORE - FLYWHEEL END	1
14-1	17317	BEARING	CAMSHAFT - FLYWHEEL END	1
14-2	23093	PIPE	ASSEMBLY - CRANKCASE/CYLINDER HEAD - TO 834 DS/	1
15	17332	BUSHING	GOVERNOR SHAFT	1
16	17319	BEARING	CAMSHAFT - INTERMEDIATE	1
17	17326	PLUG	GEAR COVER	1
18-1	17321	COVER	GEAR	1
18-2	23057	COVER	GEAR	1
19	17502	SCREW	ALLEN HEAD	1
20	17312	PLUG	GEAR COVER	1
21	17489	PLUG	SOCKET HEAD	1
22	17320	GASKET	GEAR COVER	1
23	17328	PLUG	OIL SUMP DRAIN	1
24	17532	WASHER	COPPER	1
25-1	17323	SUMP	5HP	1
25-2	21574	SUMP	7HP	1
26	17327	PLUG	CRANKCASE	1
27-1	17325	SCREW	17323 SUMP	8
27-2	21575	SCREW	SUMP	8
28	17324	GASKET	17323 SUMP	1
31-1	17314	STUD	CYLINDER HEAD - SHORT - 5HP	2
31-2	21568	STUD	CYLINDER HEAD - SHORT - 7HP	2
32	17522	WASHER	CYLINDER HEAD STUD	1
34	17506	STUD		1
35-1	17313	CRANKCASE	DS/WPD3	1
35-2	23047	CRANKCASE	DS/WPD3	1
35-3	22358	CRANKCASE	ASSEMBLY - TO 1275 DS/WPD3	1
35-4	23048	CRANKCASE	ASSEMBLY - TO 1275 - DS/WPD3	1
35-5	23049	CRANKCASE	ASSEMBLY - FROM 1873 DS/WPD3	1
35-6	22357	CRANKCASE	ASSEMBLY - W7/WPD4	1
36	17322	DOWEL	GEAR COVER	1
37	19219	BRACKET	OIL PRESSURE SWITCH AND GAUGE MOUNTING	1
38-1	17477	LINE	OIL - CRANKCASE TO CYLINDER HEAD - 5HP	1
38-2	21598	LINE	OIL - CRANKCASE TO CYLINDER HEAD - 7HP	1
38-3	23094	LINE	ASSEMBLY CRANKCASE/BEARING HSNG - TO 911 DS/WPD	1
39-1	21600	BOLT	CRANKCASE - 5HP	1
39-2	21601	BOLT	CRANKCASE - 7HP	1
39-3	23095	BOLT	BANJO - TO 911 DS/WPD3	1
40	21602	WASHER	CYLINDER HEAD	2

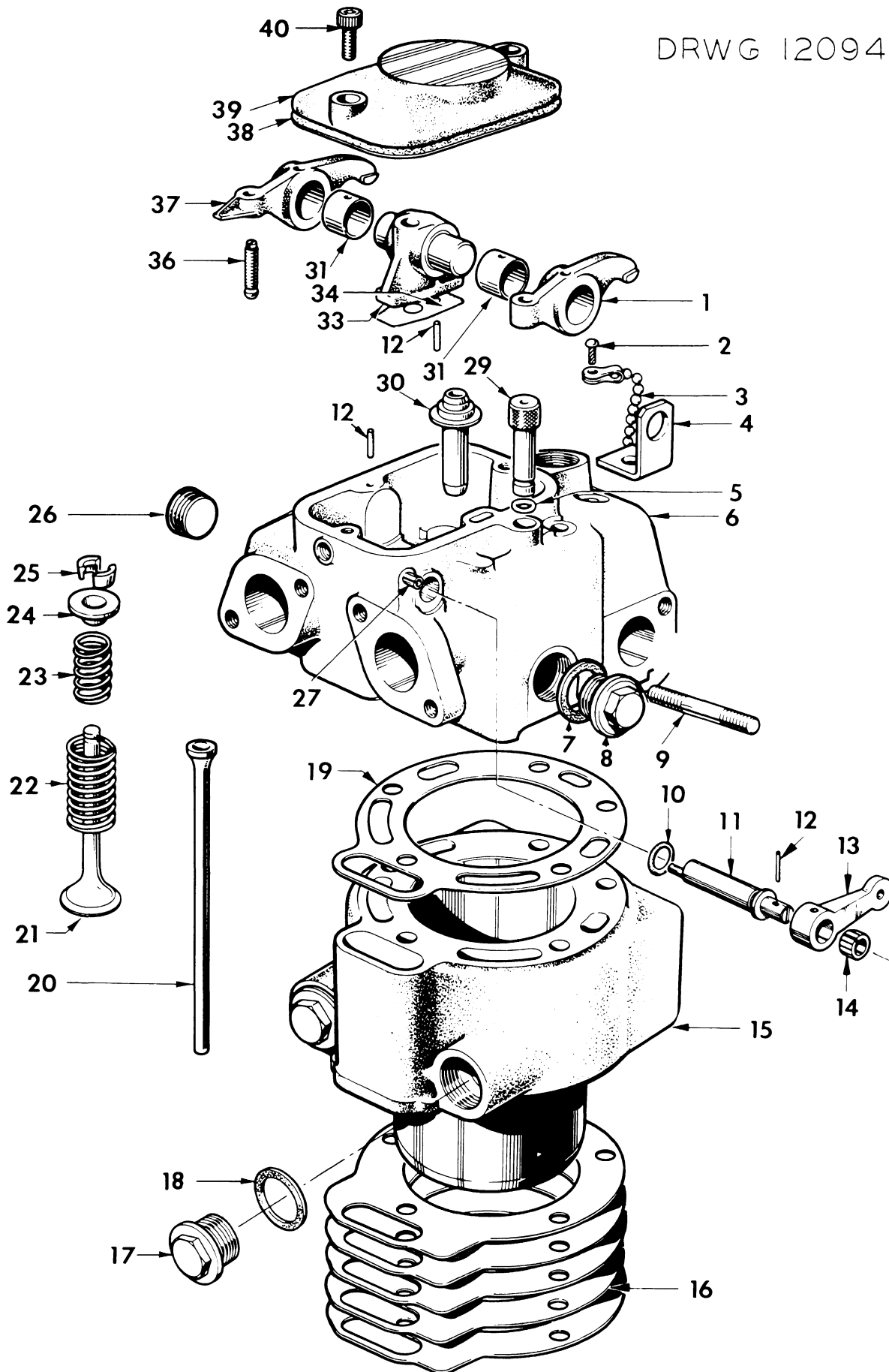


DRWG 12122

WESTERBEKE 7/DS/WPD3/WPD4: CRANKCASE

REF	PN	NAME	REMARKS	QUAN
41	21597	UNION	MAIN BEARING HOUSING - FLYWHEEL END	1
42	21599	LINE	OIL - CRANKCASE TO BEARING	1
43	21577	TUBE	BREATHER	1
44	21570	VALVE	BREATHER	1
45	21576	COVER	BREATHER	1
46	21572	HOUSING	BREATHER	1
47	21573	SEAL	OIL - BREATHER	1

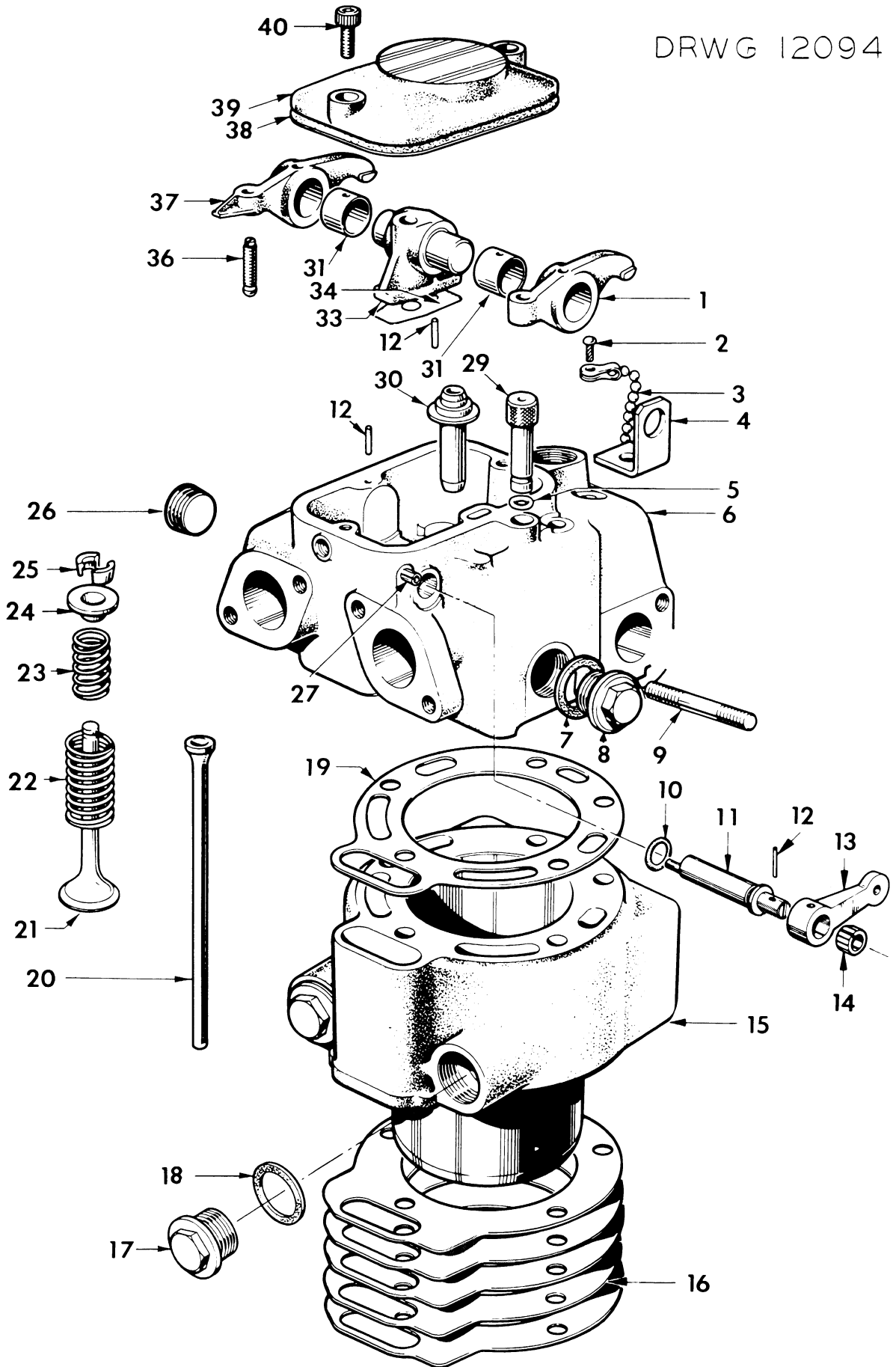
DRWG 12094



WESTERBEKE 7/DS/WPD3/WPD4: CYLINDER HEAD - BLOCK

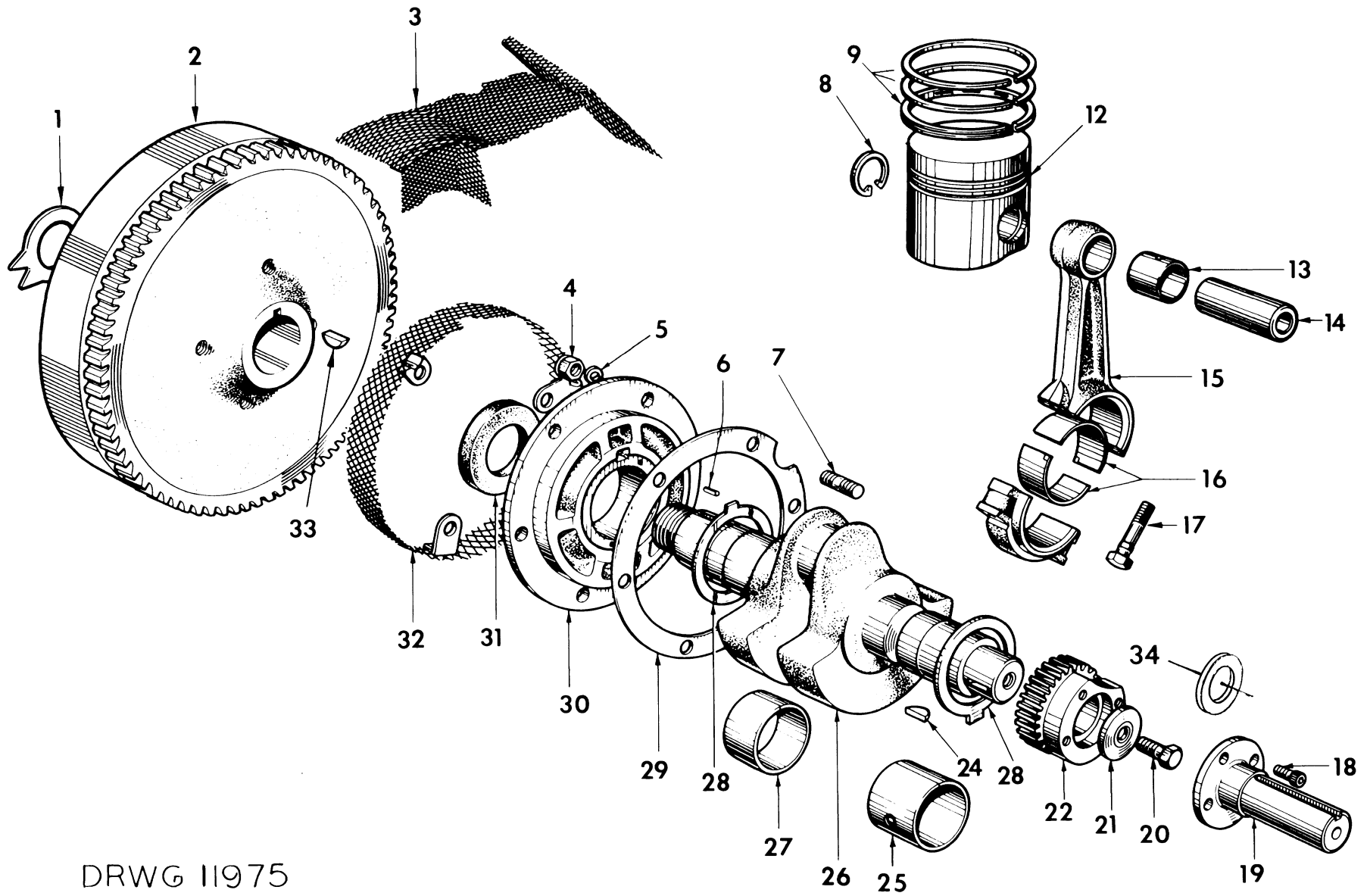
REF	PN	NAME	REMARKS	QUAN
1-1	17338	ROCKER	INTAKE VALVE	1
1-2	22373	ROCKER	ASSEMBLY - INTAKE - FROM 429 W7/WPD4	1
2	17508	DRIVE PIN		1
3	17371	CHAIN	PRIMING PLUNGER	1
4	17367	BRACKET	LIFTING	1
5	17370	SEAL	OIL - PRIMING PLUNGER	1
6-1	17340	HEAD	CYLINDER - INCLUDES VALVES - 5HP	1
6-2	21579	HEAD	CYLINDER - INCLUDES VALVES - 7HP	1
6-3	22374	HEAD	CYLINDER - ASSEMBLY - TO 1240 DS/WPD3	1
7	17530	WASHER	FIBER	1
8-1	17354	PLUG	CYLINDER HEAD - DS/WPD3	1
8-2	22387	PLUG	CYLINDER HEAD - FROM 120 DS/WPD3	1
8-3	22388	PLUG	CYLINDER HEAD - FROM 479 W7/WPD4	1
9-1	17504	STUD		2
9-2	22384	STUD		2
10	17356	SEAL	OIL - DECOMPRESSION SHAFT	1
11	17357	SHAFT	DECOMPRESSION	1
12	17512	PIN	SPRING TENSION	1
13	17358	LEVER	DECOMPRESSION	1
14	17372	BUSHING	DECOMPRESSION SHAFT	1
15-1	17347	CYLINDER	5HP	1
15-2	21583	CYLINDER	7HP	1
15-3	22375	CYLINDER	W7/WPD4	1
16-1	17348	SHIM	.003"	AR
16-2	17349	SHIM	.005"	AR
16-3	17350	SHIM	.010"	AR
16-4	17351	SHIM	.015"	AR
16-5	17352	SHIM	.020"	AR
17	17353	PLUG	CYLINDER	1
18	17531	WASHER	FIBER	1
19-1	17346	GASKET	CYLINDER HEAD - DS/WPD3	1
19-2	23060	GASKET	CYLINDER HEAD - TO 1432 DS/WPD3	1
20-1	17368	PUSHROD	VALVE - 5HP	2
20-2	21584	PUSHROD	VALVE - 7HP	2
21	17342	VALVE		2
22-1	17345	SPRING	VALVE OUTER - DS/WPD3	2
22-2	22380	SPRING	VALVE OUTER - TO 824 DS/WPD3	2
23	17363	SPRING	VALVE - INNER	2
24-1	17344	CUP	VALVE - DS/WPD3	2
24-2	22379	CUP	VALVE - TO 824 DS/WPD3	2
25	17343	COLLET	VALVE - ONE PAIR	2
26	23062	PLUG	RETAINING - AIR CELL - DS/WPD3	1
27	17513	PIN	ROLL	1
29	17369	PLUNGER	PRIMING	1
30-1	17341	GUIDE	VALVE	2
30-2	21580	PLATE	SPRING - VALVE GUIDE	2
30-3	22940	INSERT	VALVE - INTAKE AND EXHAUST	2
31-1	17361	BUSHING	ROCKER ARM	2
31-2	22372	BUSHING	VALVE ROCKER - TO 266 W7/WPD4	2
33	17339	SUPPORT	ROCKER	1
34	17362	GASKET	ROCKER SUPPORT	1
36	17359	SCREW	ROCKER ADJUSTING	2
37-1	17360	ROCKER	EXHAUST VALVE	1
37-2	22371	ROCKER	ASSEMBLY - EXHAUST - FROM 474 W7/WPD4	1

DRWG 12094



WESTERBEKE 7/DS/WPD3/WPD4: CYLINDER HEAD - BLOCK

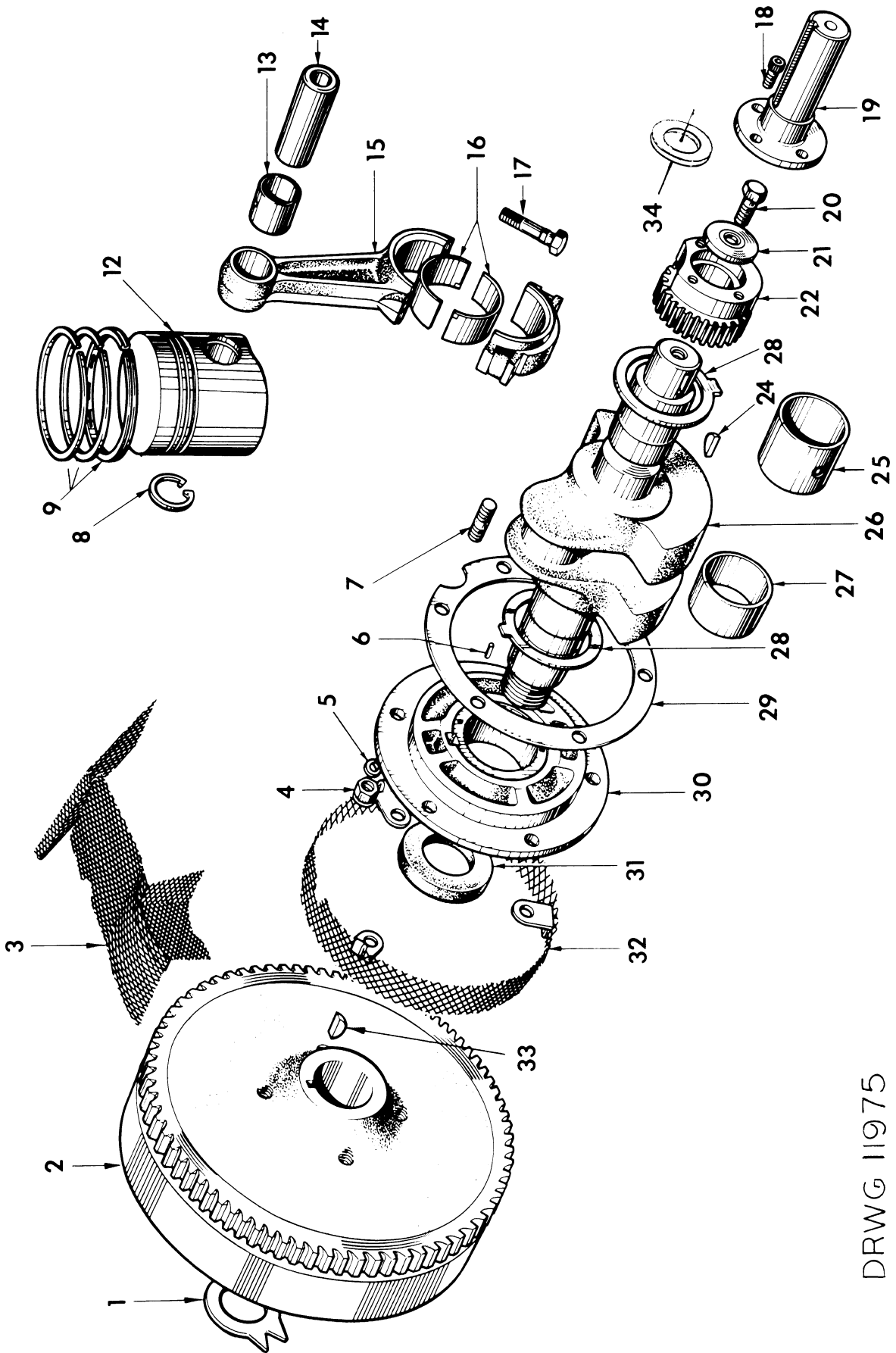
REF	PN	NAME	REMARKS	QUAN
38	17337	GASKET	ROCKER COVER	1
39-1	17226	COVER	ROCKER - UNVENTED	1
39-2	22365	COVER	ROCKER BOX - FROM 104 W7/WPD4/T01635 DS/WPD3	1
40-1	17502	SCREW	ALLEN HEAD	1
40-2	22366	SETSCREW	COVER - FROM 104 W7/WPD4/FROM 1635 DS/WPD3	1
41	22370	LOCKNUT	ADJUSTING SCREW	2
42-1	23061	CELL	ASSEMBLY - AIR - DS/WPD3	1
42-2	22941	CELL	ASSEMBLY - AIR - W7/WPD4	1



DRWG 11975

WESTERBEKE 7/DS/WPD3/WPD4: CRANKSHAFT - PISTON

REF	PN	NAME	REMARKS	QUAN
1	17394	TABWASHER	FLYWHEEL	1
2-1	17373	FLYWHEEL	WITH RING GEAR	1
2-2	17491	FLYWHEEL	NO RING GEAR	1
2-3	23063	FLYWHEEL	FROM 491-1275 DS/WPD3	1
3	17396	GUARD	FLYWHEEL - TOP	1
4-1	17493	NUT	SELF LOCKING - DS/WPD3	1
4-2	22957	NUT	FLYWHEEL	1
5	17519	WASHER		1
6	17511	PIN		1
7-1	17506	STUD		1
7-2	22396	STUD	HOUSING FLYWHEEL END - DS/WPD3	6
8	17515	RING	RETAINING	1
9-1	18332	RING	SET - PISTON - STANDARD	1
9-2	22958	RING	SET - PISTON - .020" - FROM 311 W7/WPD4	1
12-1	17379	PISTON	ASSEMBLY - INCLUDING RINGS AND PIN - 5HP	1
12-2	21589	PISTON	ASSEMBLY - INCLUDING RINGS AND PIN - 7HP	1
12-3	22945	PISTON	ASSEMBLY .020" - TO 310 W7/WPD4	1
12-4	22946	PISTON	ASSEMBLY .020" O/S	1
12-5	23067	PISTON	ASSEMBLY .020" O/S	1
12-6	23068	PISTON	ASSEMBLY .030" O/S	1
12-7	23069	PISTON	ASSEMBLY .040" O/S	1
13-1	17384	BUSHING	PISTON PIN - DS/WPD3	1
13-2	22393	BUSHING	SMALL END - W7/WPD4	1
14	17383	PISTON		1
15-1	17385	ROD	CONNECTING - ASSEMBLY - 5HP	1
15-2	21591	ROD	CONNECTING - ASSEMBLY	1
16-1	17387	BEARING	CONNECTING ROD - ONE PAIR	1
16-2	22952	BEARING	LARGE END .010" U/S	1
16-3	22953	BEARING	LARGE END .020" U/S	1
17	17386	BOLT	CONNECTING ROD	2
18	17398	SCREW	CRANKSHAFT EXTENSION SHAFT - ALLEN HEAD	1
19-1	17395	SHAFT	CRANKSHAFT EXTENSION	1
19-2	21556	COUPLING	WATER PUMP DRIVE - 7HP	1
19-3	23112	SHAFT	EXTENSION - DS/WPD3	1
20	17391	SCREW	GEAR RETAINING	1
21-1	17390	WASHER	GEAR RETAINING	1
21-2	22954	WASHER	GEAR RETAINING - W7/WPD4	1
22	17389	GEAR	CRANKSHAFT	1
24	17528	KEY	WOODRUFF	1
25-1	17392	BEARING	MAIN - GEAR END - DS/WPD3	1
25-2	22955	BEARING	MAIN - GEAR END .010" U/S - W7/WPD4	1
25-3	22956	BEARING	MAIN - GEAR END .020" U/S - W7/WPD4	1
26-1	17378	CRANKSHAFT	5HP	1
26-2	21588	CRANKSHAFT	7HP	1
27-1	17377	BEARING	MAIN - FLYWHEEL END	1
27-2	23065	BEARING	MAIN - FLYWHEEL END - 284 DS/WPD3	1
27-3	22943	BEARING	MAIN - FLYWHEEL END .010" U/S - W7/WPD4	1
27-4	22944	BEARING	MAIN - FLYWHEEL END .020" U/S - W7/WPD4	1
28	17388	WASHER	CRANKSHAFT THRUST	2
29-1	17376	GASKET	MAIN BEARING HOUSING	1
29-2	22390	GASKET	BEARING - HOUSING W7/WPD4	1
30-1	17375	HOUSING	MAIN BEARING - FLYWHEEL END - 5HP	1
30-2	21586	HOUSING	MAIN BEARING - FLYWHEEL END - 7HP	1
30-3	22389	HOUSING	BEARING - FLYWHEEL END - FROM 214 DS/WPD3	1

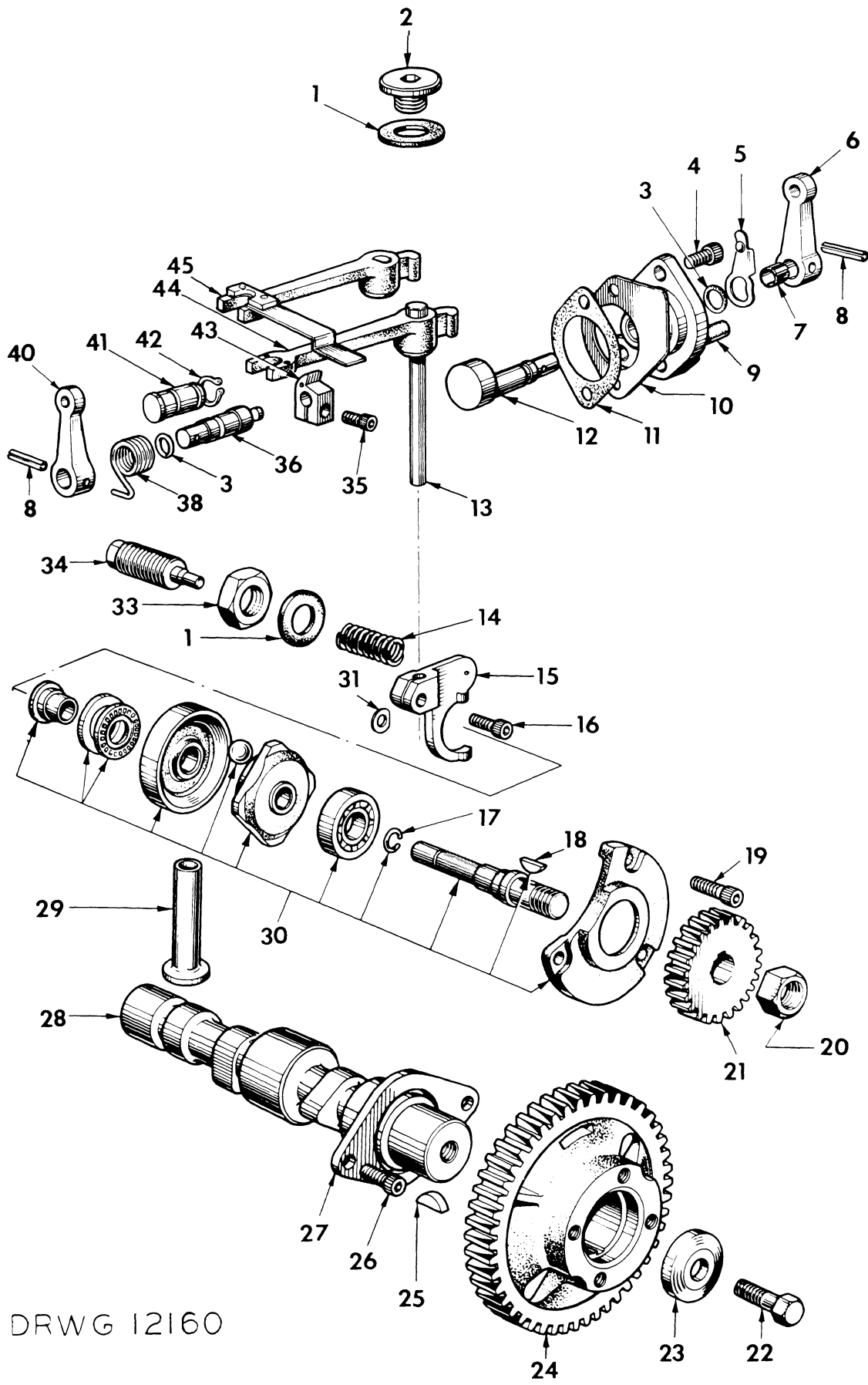


DRWG 11975

WESTERBEKE 7/DS/WPD3/WPD4: CRANKSHAFT - PISTON

REF	PN	NAME	REMARKS	QUAN
31	17374	SEAL	OIL - CRANKSHAFT - FLYWHEEL END	1
32	17397	GUARD	FLYWHEEL - CIRCULAR	1
33	17529	KEY	WOODRUFF	1
34	17424	SEAL	OIL - CRANKSHAFT EXTENSION SHAFT	1

WESTERBEKE 7/DS/WPD3/WPD4: CAMSHAFT - GOVERNOR

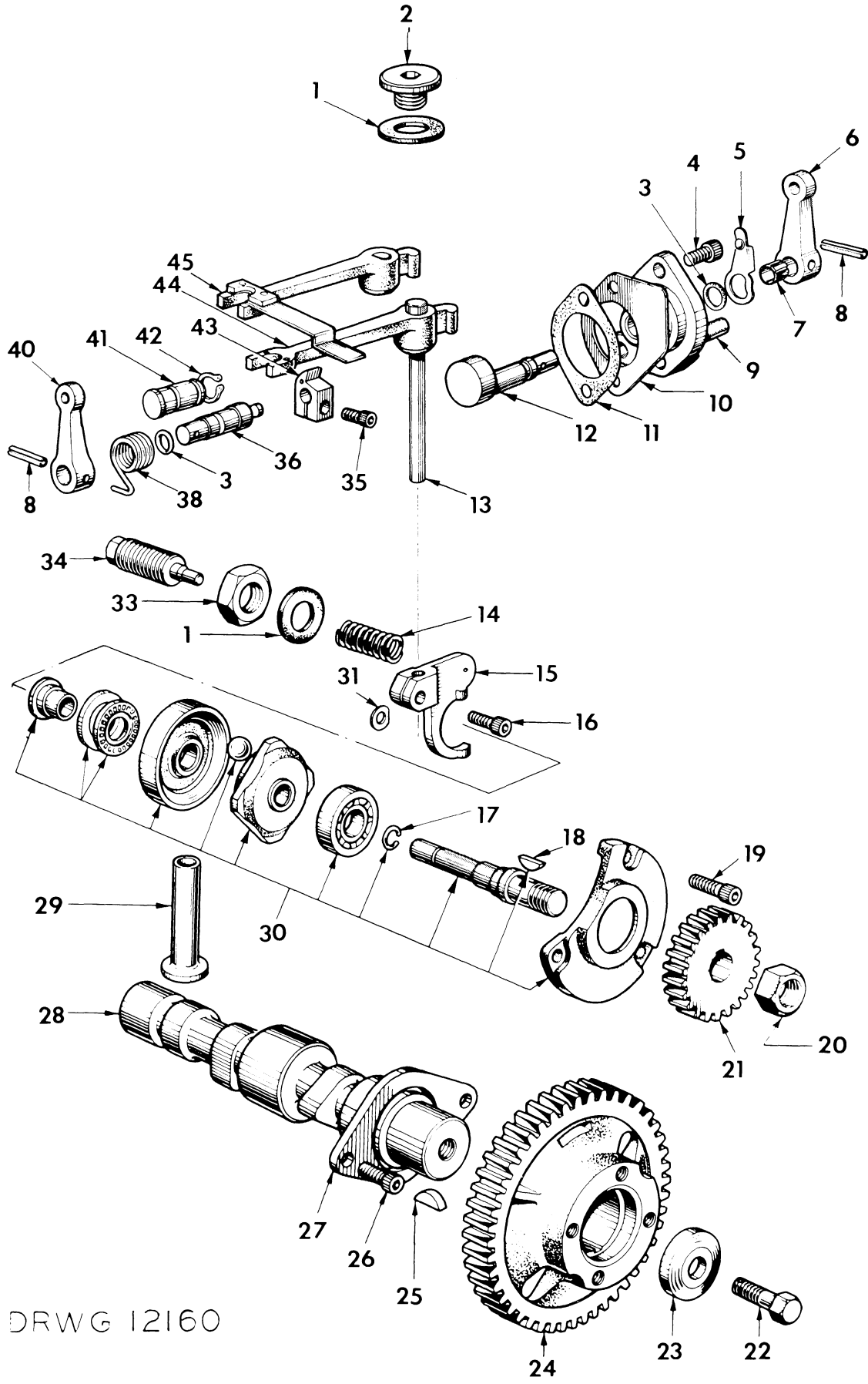


DRWG 12160

WESTERBEKE 7/DS/WPD3/WPD4: CAMSHAFT - GOVERNOR

REF	PN	NAME	REMARKS	QUAN
1-1	17525	WASHER		1
1-2	22398	WASHER	W7/WPD4	1
2	17432	PLUG	OPERATING SHAFT - FUEL PUMP LEVER	1
3-1	17534	SEAL		1
3-2	22900	SEAL	STOP - SPINDLE - OIL - W7/WPD4	1
4-1	17502	SCREW	ALLEN HEAD	2
4-2	22902	SCREW	STOP - COVER - FROM 1229 DS/WPD3	2
4-3	22901	SCREW	STOP - COVER - TO 1229 DS/WPD3	2
5	17441	SPRING	STOP/RUN LEVER - OMIT ON ELECTRIC STOP	1
6-1	17423	LEVER	STOP/RUN - OMIT ON ELECTRIC STOP	1
6-2	15186	LEVER	STOP/RUN - WITH ELECTRIC STOP	1
7	17421	BUSHING	STOP/RUN LEVER - OMIT ON ELECTRIC STOP	1
8	17514	PIN		1
9-1	17426	COVER	STOP/RUN LEVER ASSEMBLY - DS/WPD3	1
9-2	22903	COVER	STOP/RUN LEVER - TO 1229 DS/WPD3	1
10	17439	PLATE	STOP/RUN - OMIT ON ELECTRIC STOP	1
11	17427	GASKET	COVER	1
12	17422	SPINDLE	STOP/RUN LEVER	1
13	17401	SHAFT	LEVER OPERATING	1
14		SPRING	SEE PAGE 219	1
15	17428	BRACKET	GOVERNOR	1
16	17488	SCREW	SOCKET HEAD	3
17	17517	RING	RETAINING	1
18	17526	KEY	WOODRUFF	1
19	17498	SCREW	ALLEN HEAD	1
20	17495	NUT	SELF LOCKING	1
21	17413	GEAR	GOVERNOR	1
22-1	17412	SCREW	GEAR RETAINING - DS/WPD3	1
22-2	22397	SCREW	GEAR RETAINING - DS/WPD3	1
23	17411	WASHER	GEAR RETAINING	1
24-1	17400	GEAR	CAMSHAFT - DS/WPD3	1
24-2	22960	GEAR	CAMSHAFT - FROM 1276	1
25	17528	KEY	WOODRUFF	1
26	17497	SCREW	ALLEN HEAD	2
27-1	17434	PLATE	CAMSHAFT THRUST - DS/WPD3	1
27-2	22905	PLATE	CAMSHAFT THRUST - W7/WPD4	1
28-1	17399	CAMSHAFT	DS/WPD3	1
28-2	22959	CAMSHAFT	TO 1275 DS/WPD3/FROM 1276 W7/WPD4	1
29	17404	TAPPET	VALVE	2
30-1	17440	GOVERNOR	ASSEMBLY	1
30-2	22907	THRUST	GOVERNOR ASSEMBLY - DS/WPD3	1
31-1	17425	SPACER	GOVERNOR BRACKET - DS/WPD3	1
31-2	22961	SPACER	FROM 1229	1
33	17416	NUT	LOCKING - SPEED ADJUSTMENT	1
34	17414	SCREW	SPEED ADJUSTMENT - WPD4	1
35	17487	SCREW	ALLEN HEAD	1
36-1	17429	SPINDLE	OVERLOAD/STOP - 5HP	1
36-2	21595	SPINDLE	OVERLOAD/STOP - 7HP	1
38	17431	SPRING	RETURN - OVERLOAD/STOP	1
40-1	17435	LEVER	OVERLOAD/STOP - 5HP	1
40-2	21596	LEVER	OVERLOAD/STOP - 7HP	1
41	17437	SPINDLE	OVERLOAD/STOP	1
42	17438	RING	RETAINING - SPINDLE - OVERLOAD/STOP	1

WESTERBEKE 7/DS/WPD3/WPD4: CAMSHAFT - GOVERNOR

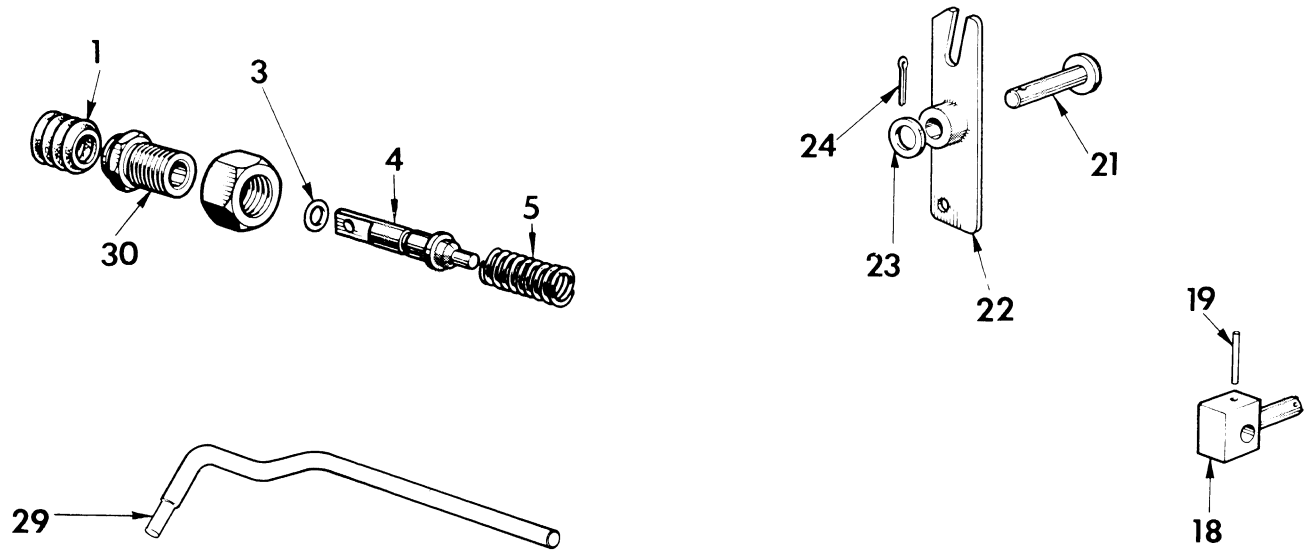


DRWG 12160

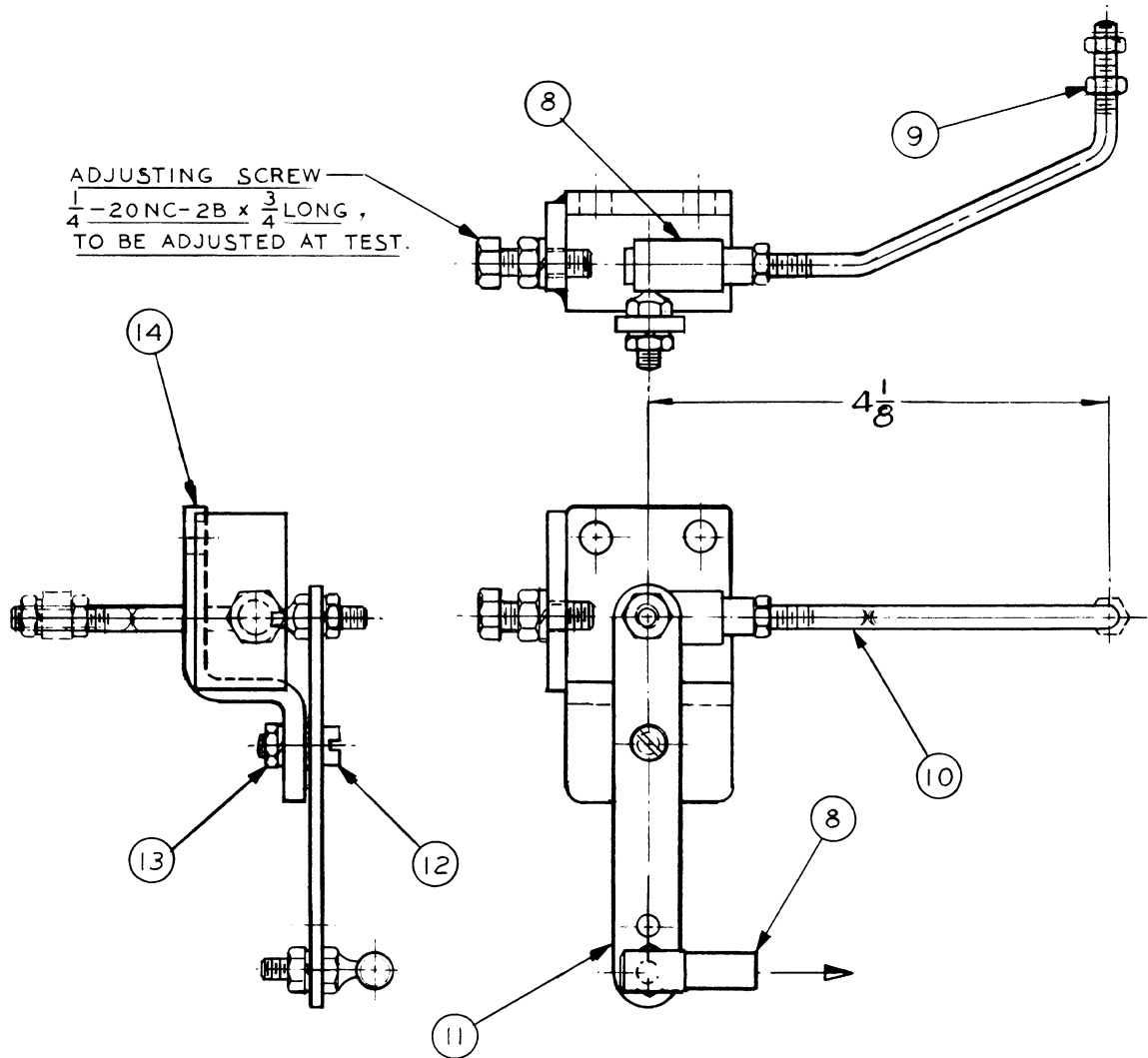
WESTERBEKE 7/DS/WPD3/WPD4: CAMSHAFT - GOVERNOR

REF	PN	NAME	REMARKS	QUAN
43	17430	CAM	OVERLOAD/STOP	1
44	17402	LEVER	FUEL PUMP OPERATING - DS/WPD3	1
45-1	17403	LEVER	FUEL PUMP OPERATING - DS/WPD3	1
45-2	21590	LEVER	FUEL PUMP OPERATING - W7/WPD4	1

WESTERBEKE 7/DS/WPD3/WPD4: VARIABLE SPEED AND IDLER



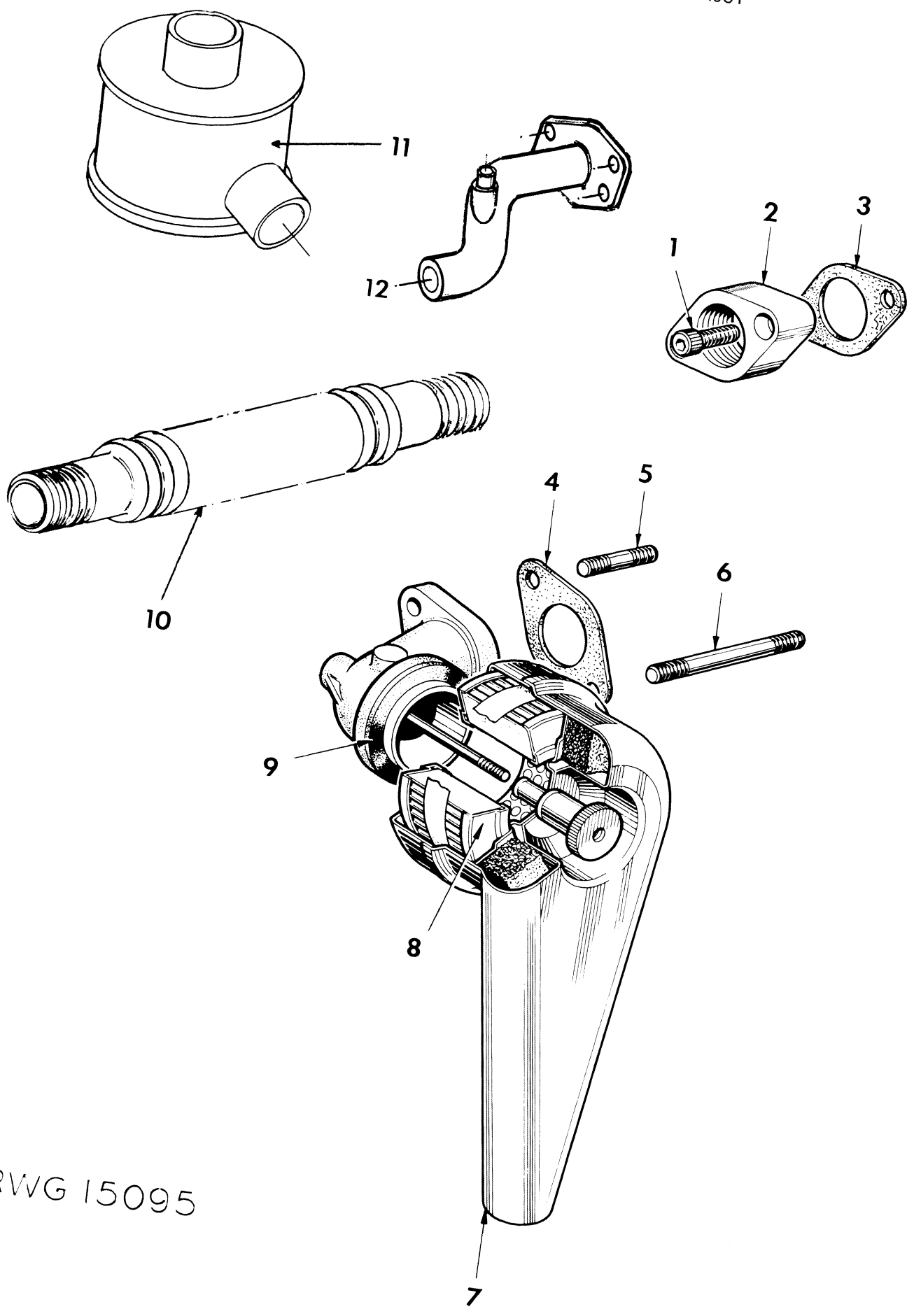
DRWG 13928



WESTERBEKE 7/DS/WPD3/WPD4: VARIABLE SPEED AND IDLER

REF	PN	NAME	REMARKS	QUAN
1	17420	BELLOWS	PLUNGER	1
3	17533	SEAL	OIL	1
4-1	17417	PLUNGER	DS/WPD3	1
4-2	23082	PLUNGER	ASSEMBLY - TO 380 DS/WPD3	1
4-3	23083	PLUNGER	ASSEMBLY - DS/WPD3	1
4-4	23084	PLUNGER	ASSEMBLY - FROM 331 DS/WPD3	1
5-1	17419	SPRING	VARIABLE SPEED CONTROL - DS/W7	1
5-2	17418	SPRING	FIXED SPEED CONTROL - WPD3/WPD4	1
6	17433	SPRING	IDLER CONTROL LINK ASSEMBLY	1
7	17502	SCREW	ALLEN HEAD	1
8	19364	CONNECTION	BALL JOINT	2
9	20741	NUT	SELF LOCKING	2
10-1	18499	LINK	DS/WPD3	1
10-2	23074	LINK	CONTROL ROD ASSEMBLY	1
11-1	18474	LEVER	DS/WPD3	1
11-2	23076	LEVER	ASSEMBLY - DS/WPD3	1
11-3	23077	LEVER	ASSEMBLY - DS/WPD3	1
12	15266	SCREW	SHOULDER	1
13	15267	NUT	SELF LOCKING	1
14	18626	BRACKET	THROTTLE	1
15	23073	SPINDLE	LINK ASSEMBLY - DS/WPD3	1
16	23087	PIN	PLUNGER - DS/WPD3	1
17	23089	SCREW	SPEED - STOP - DS/WPD3	1
18	17407	BLOCK	CONTROL ROD	1
19	17510	PIN		1
20	23091	SPRING	LEVER ASSEMBLY - DS/WPD3	1
21	17408	PIN	CONTROL LEVER	1
22	17409	LEVER	CONTROL	1
23	17521	WASHER		1
24	17509	PIN		1
25	23092	SEAL	LEAD	1
29-1	17406	ROD	CONTROL - DS/WPD3	1
29-2	23075	ROD	CONTROL - FROM 407 DS/WPD3	1
30	17415	SCREW	SPEED ADJUSTMENT	1

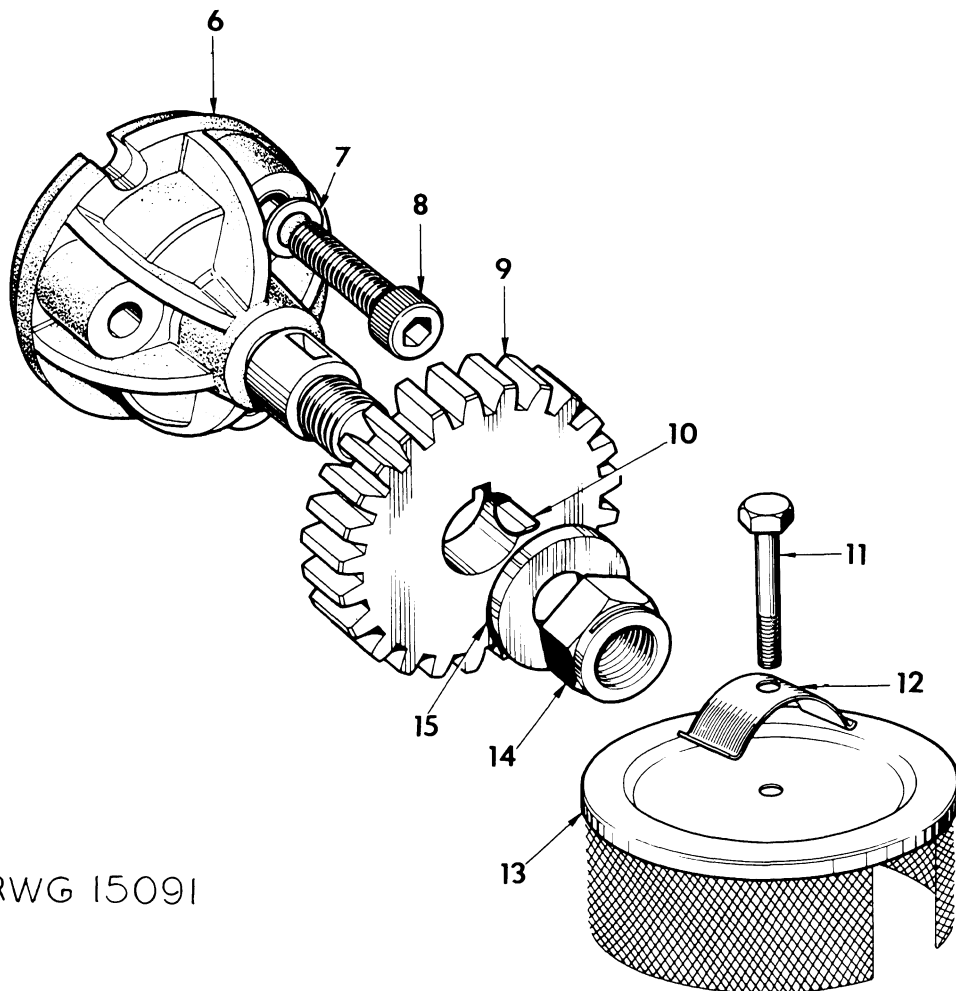
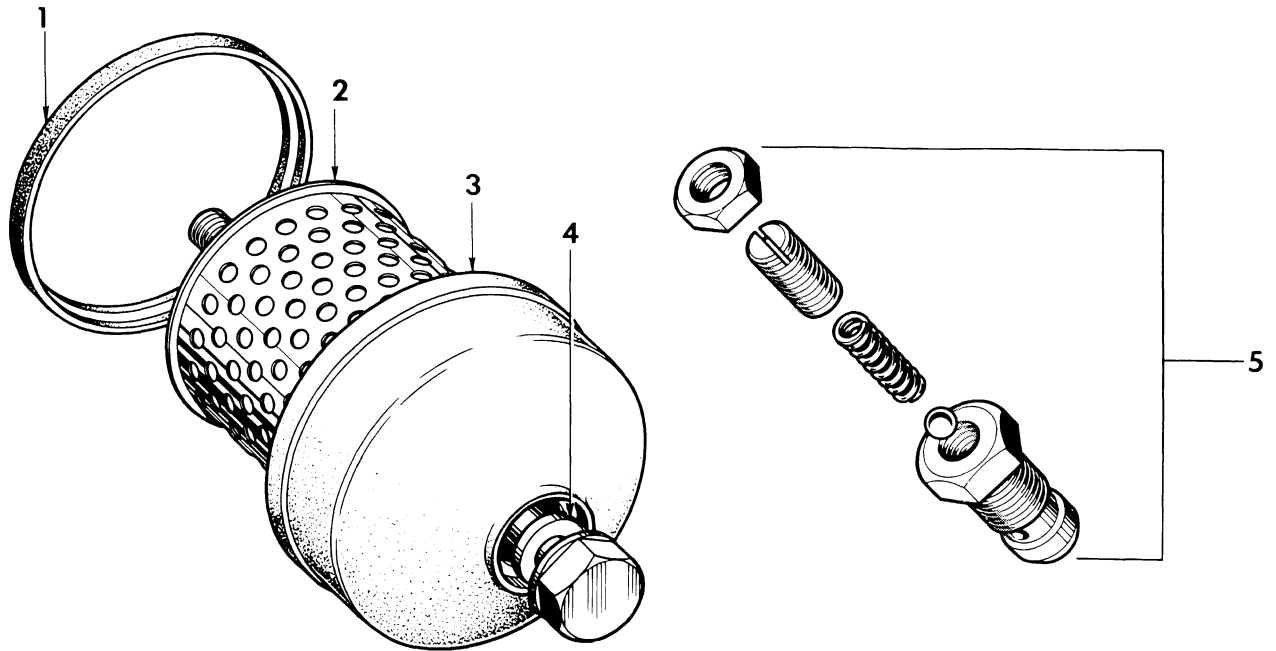
WESTERBEKE 7/DS/WPD3/WPD4: INTAKE - EXHAUST



DRWG 15095

WESTERBEKE 7/DS/WPD3/WPD4: INTAKE - EXHAUST

REF	PN	NAME	REMARKS	QUAN
1	17500	SCREW	ALLEN HEAD	2
2-1	17446	FLANGE	EXHAUST - 5HP	1
2-2	21603	FLANGE	EXHAUST - 7HP	1
3	17447	GASKET	EXHAUST FLANGE	1
4	17448	GASKET	INTAKE MANIFOLD	1
5-1	17505	STUD	INTAKE MANIFOLD - SHORT - DS/WPD3	1
5-2	23066	STUD	INTAKE MANIFOLD - SHORT	1
6-1	17507	STUD	INTAKE MANIFOLD - LONG - DS/WPD3	1
6-2	22356	STUD	INTAKE MANIFOLD - LONG	1
7-1	17449	AIR CLEANER	INCLUDES MANIFOLD - 5HP	1
7-2	21604	AIR CLEANER	INCLUDES MANIFOLD - 7HP	1
8-1	17451	ELEMENT	AIR CLEANER REPLACEMENT - 5HP	1
8-2	21605	ELEMENT	AIR CLEANER - 7HP	1
9	17450	SEAL	AIR CLEANER	1
10	16738	LINE	FLEXIBLE EXHAUST - 1" NPT	1
11	13174	MUFFLER	WATER SILENCER TYPE	1
12	15276	ELBOW	WATER INJECTED EXHAUST	1



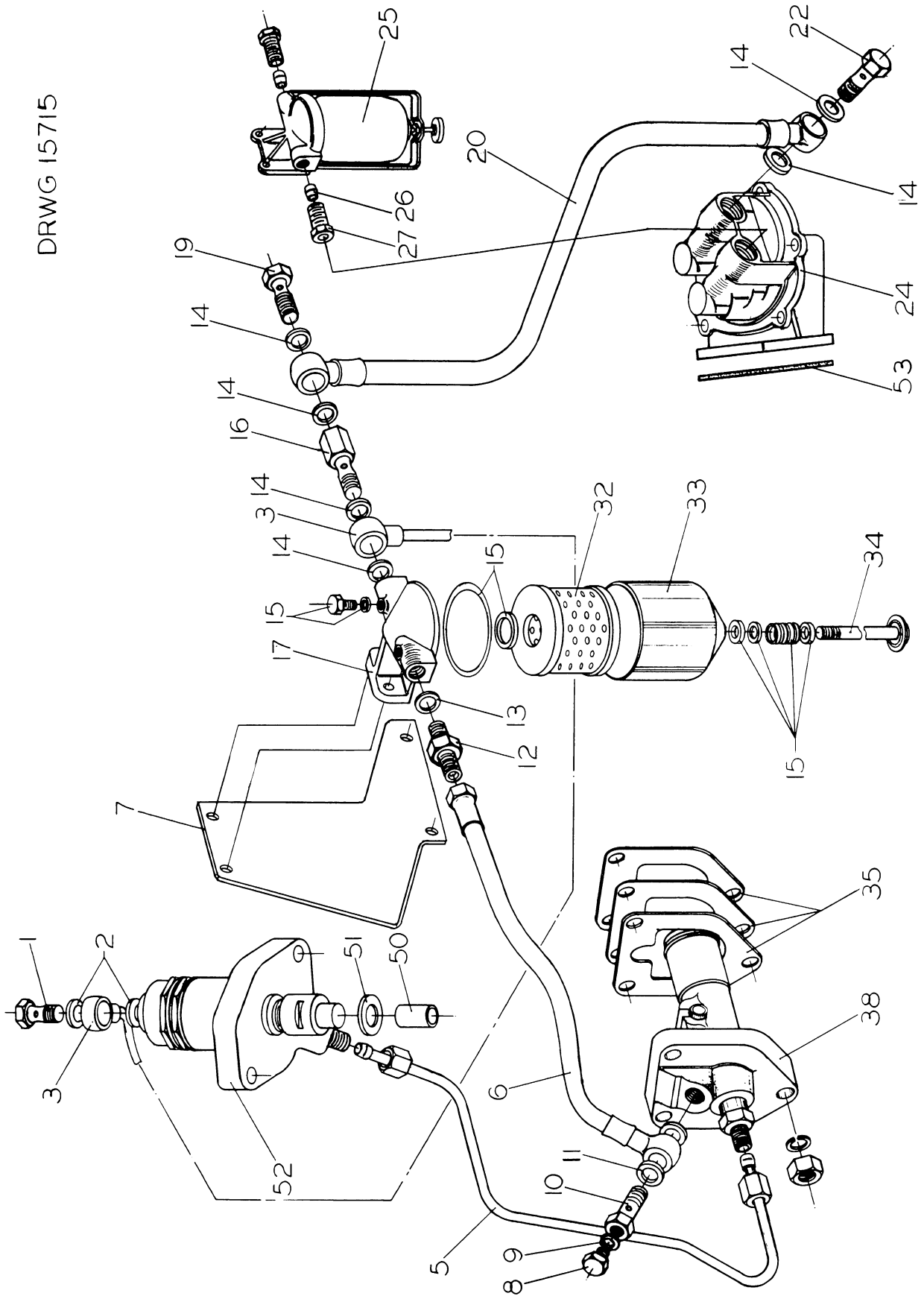
DRWG 15091

WESTERBEKE 7/DS/WPD3/WPD4: LUBE OIL SYSTEM

REF	PN	NAME	REMARKS	QUAN
1	17459	GASKET	LUBE OIL FILTER	1
2	17457	ELEMENT	LUBE OIL FILTER	1
3	17456	FILTER	COMPLETE - LUBE OIL	1
4	17458	WASHER	LUBE OIL FILTER BOLT	1
5-1	17453	VALVE	RELIEF - ASSEMBLY - DS/WPD3	1
5-2	22910	VALVE	RELIEF - ASSEMBLY - FROM 591 W7/WPD4	1
6	17452	PUMP	LUBE OIL	1
7	17518	WASHER		3
8-1	17499	SCREW	ALLEN HEAD	3
8-2	22912	SCREW	OIL PUMP COVER - DS/WPD3	3
9	17460	GEAR	LUBE OIL PUMP	1
10	17527	KEY	WOODRUFF	1
11	17455	BOLT	LUBE OIL PUMP STRAINER	1
12	17473	SPRING	LUBE OIL PUMP STRAINER	1
13	17454	STRAINER	LUBE OIL PUMP	1
14	17494	NUT	SELF LOCKING	1
15	17523	WASHER	GEAR LOCKING	1

WESTERBEKE 7/DS/WPD3/WPD4: FUEL SYSTEM

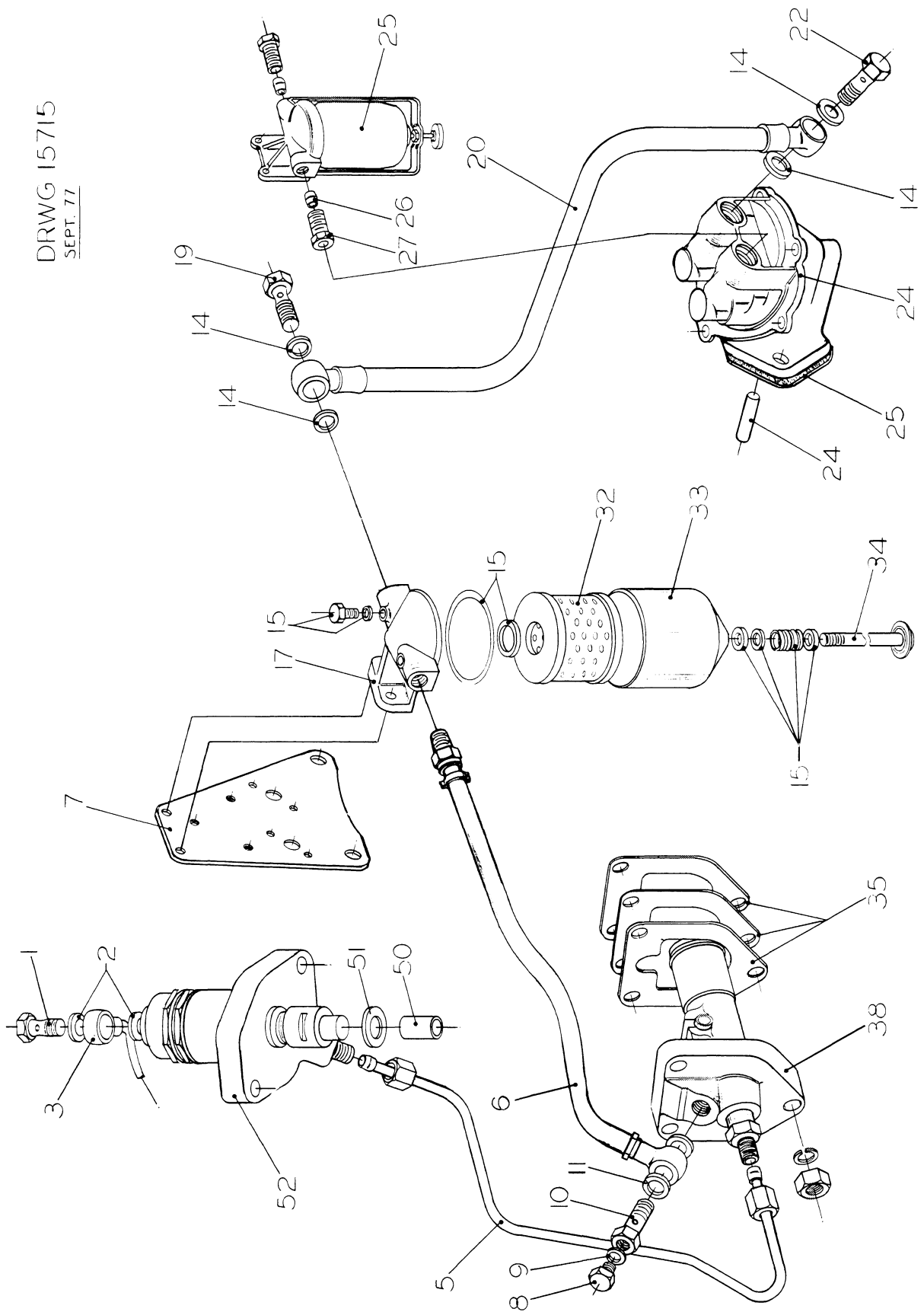
DRWG 15715



WESTERBEKE 7/DS/WPD3/WPD4: FUEL SYSTEM

REF	PN	NAME	REMARKS	QUAN
1	17565	BOLT	BANJO - RETURN LINE	1
2	17564	WASHER	RETURN LINE	2
3	17573	LINE	RETURN	1
5	17572	LINE	PUMP TO INJECTOR - INCL NUTS AND FERRULES	1
6-1	17562	LINE	FILTER TO INJECTION PUMP - DS/WPD3	1
6-2	22974	LINE	FUEL - PUMP INJECTION - W7/WPD4	1
7-1	17574	BRACKET	FUEL FILTER	1
7-2	20691	BRACKET	FUEL FILTER SUPPORT	1
8	17566	SCREW	INJECTION PUMP BLEED	1
9	22975	WASHER	BLEED SCREW (REPAIR KIT ONLY)	2
10	17563	BOLT	BANJO - INJECTION PUMP	1
11	17568	WASHER	FUEL LINE	2
12	17577	UNION		1
13	17532	WASHER	COPPER	1
14	17578	WASHER	FIBER	6
15	17486	KIT	FUEL FILTER PARTS	1
16	17570	ADAPTER	BANJO - FUEL FILTER	1
17	17442	HEAD	FUEL FILTER	1
19	17576	BOLT	BANJO	1
20-1	17575	LINE	LIFT PUMP TO FILTER - DS/WPD3	1
20-2	21881	LINE	LIFT PUMP TO FILTER - W7/WPD4	1
20-3	21727	CLAMP	FUEL LINE HOSE	2
20-4	16007	ADAPTER	FUEL LINE HOSE	1
22	17571	BOLT	BANJO - LIFT PUMP	1
24-1	17569	PUMP	FUEL LIFT	1
24-2	15135	DIAPHRAGM	LIFT PUMP	1
24-3	15136	KIT	LIFT PUMP REBUILD	1
24-4	22976	PUSHROD	LIFT PUMP - DS/WPD3	1
24-5	22977	PUSHROD	LIFT PUMP - W7/WPD4	1
25-1	11784	FILTER	FUEL - GLASS BOWL	1
25-2	11598	FILTER	FUEL - METALIC BOWL	1
25-3	13762	ELEMENT	PRIMARY FUEL FILTER - AC	1
25-4	13761	ELEMENT	PRIMARY FUEL FILTER - FRAM	1
26	11597	FERRULE		1
27	23116	NUT		1
32	17444	ELEMENT	FUEL FILTER	1
33-1	17443	BOWL	FUEL FILTER	1
33-2	20734	FILTER	FUEL - COMPLETE	1
34	17445	BOLT	CENTER	1
35-1	17483	SHIM	.025"	1
35-2	17482	SHIM	.0025"	1
35-3	17481	SHIM	.005"	1
38-1	17479	PUMP	INJECTION - FIXED SPEED - WPD3	1
38-2	17480	PUMP	INJECTION - VARIABLE SPEED - DS	1
38-3	21606	PUMP	INJECTION - VARIABLE SPEED - W7	1
38-4	23113	PUMP	INJECTION - FIXED SPEED - WPD4	1
50	17365	NOZZLE	FUEL INJECTOR	1
51-1	17366	WASHER	DS - FUEL INJECTOR NOZZLE	1
51-2	22913	WASHER	FUEL PUMP	3
52-1	17364	INJECTOR	HOLDER - ONLY - DS	1
52-2	22942	INJECTOR	ASSEMBLY	1

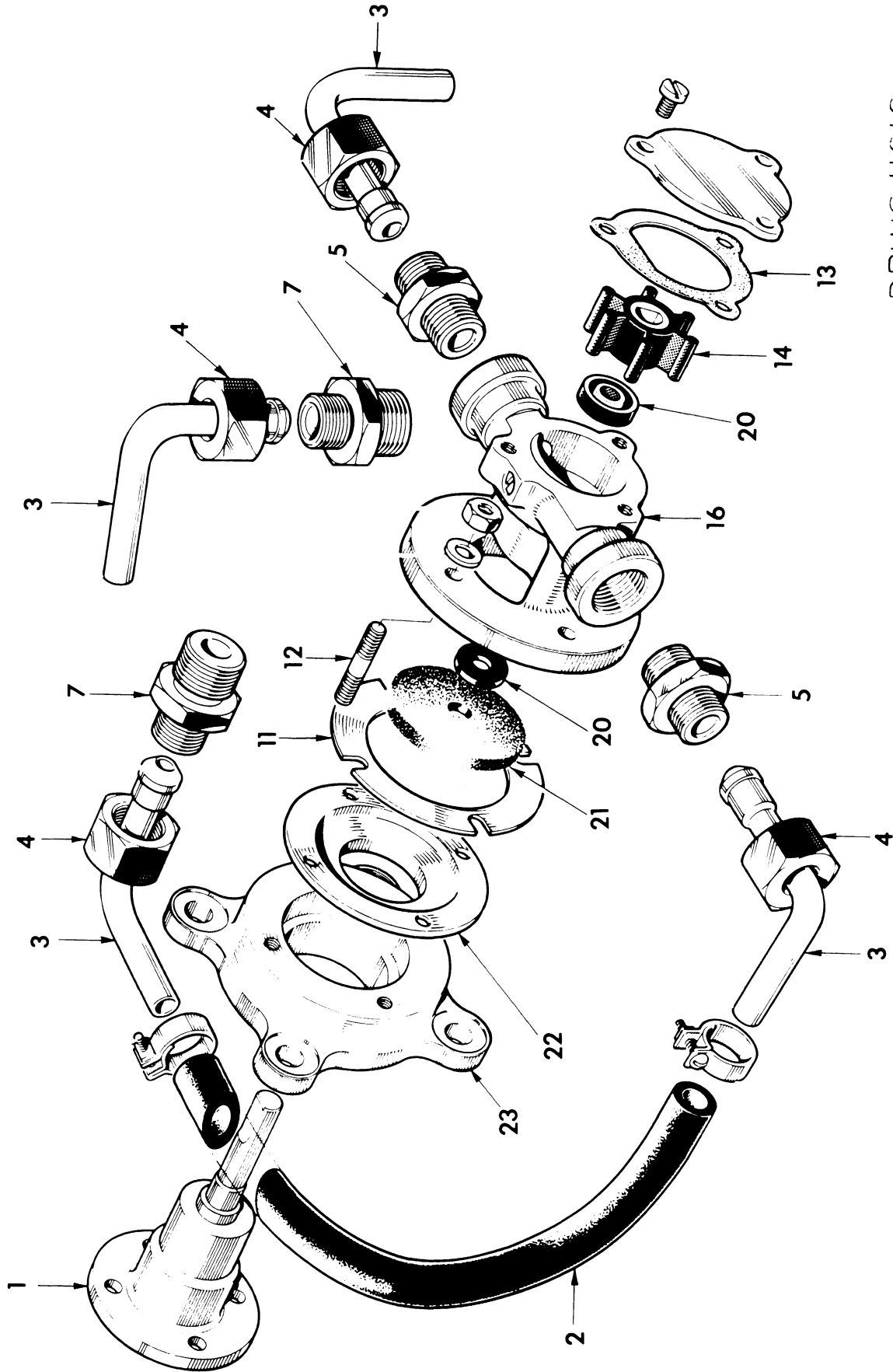
DRWG 15715
SEPT. 77



WESTERBEKE 7/DS/WPD3/WPD4: FUEL SYSTEM

REF	PN	NAME	REMARKS	QUAN
53-1	17330	GASKET	FUEL LIFT PUMP	1
53-2	22362	SCREW	COVER - FROM 1276	2
54	21582	WASHER	SHIELD - 7HP	1
55-1	22971	LINE	INJECTOR LEAK OFF - DS/WPD3	1
55-2	22973	LINE	LEAK OFF - INJECTION/FUEL PUMP - W7/WPD4	1

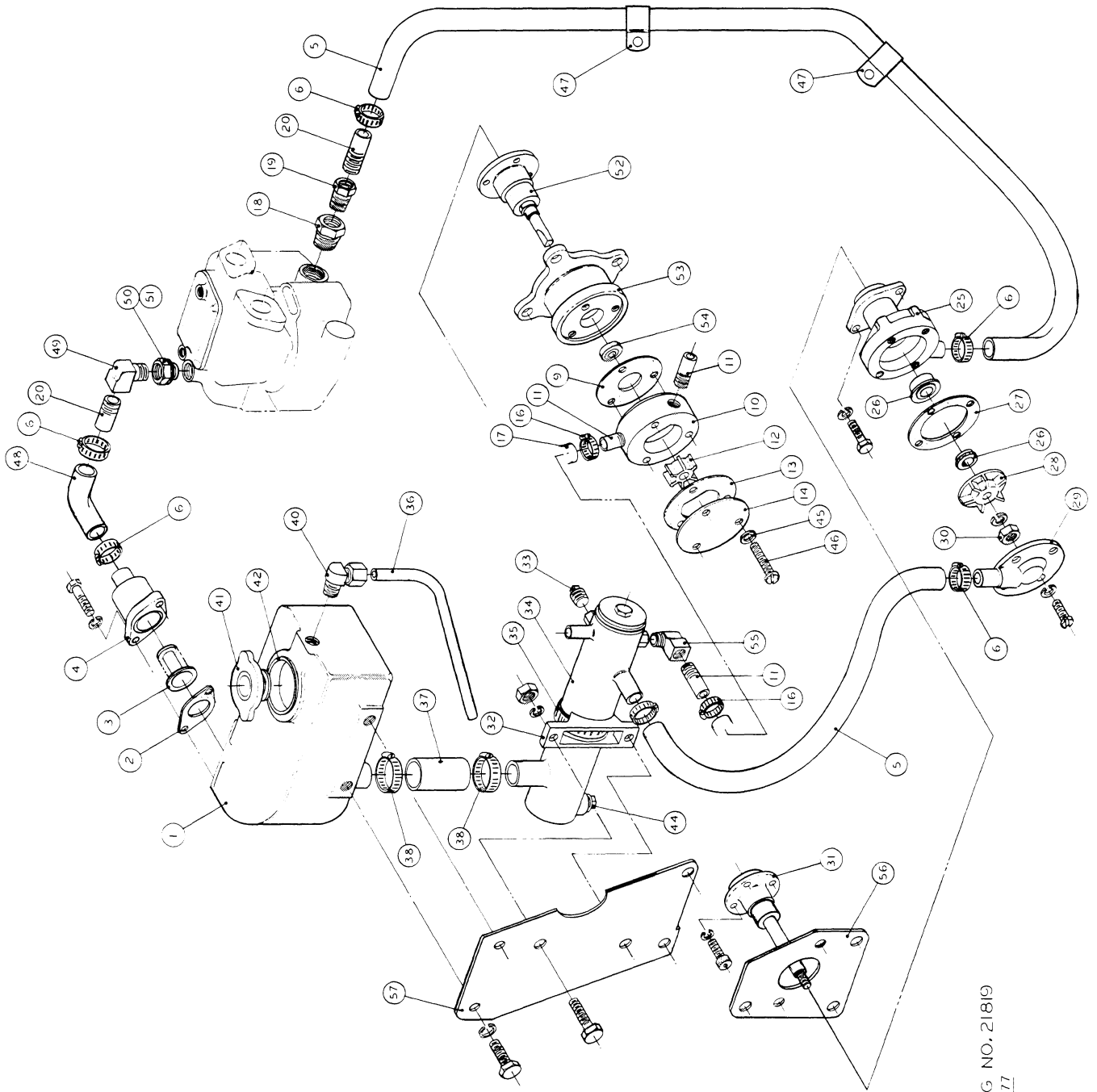
WESTERBEKE 7/DS/WPD3/WPD4: WATER PUMP



DRWG 11616

WESTERBEKE 7/DS/WPD3/WPD4: WATER PUMP

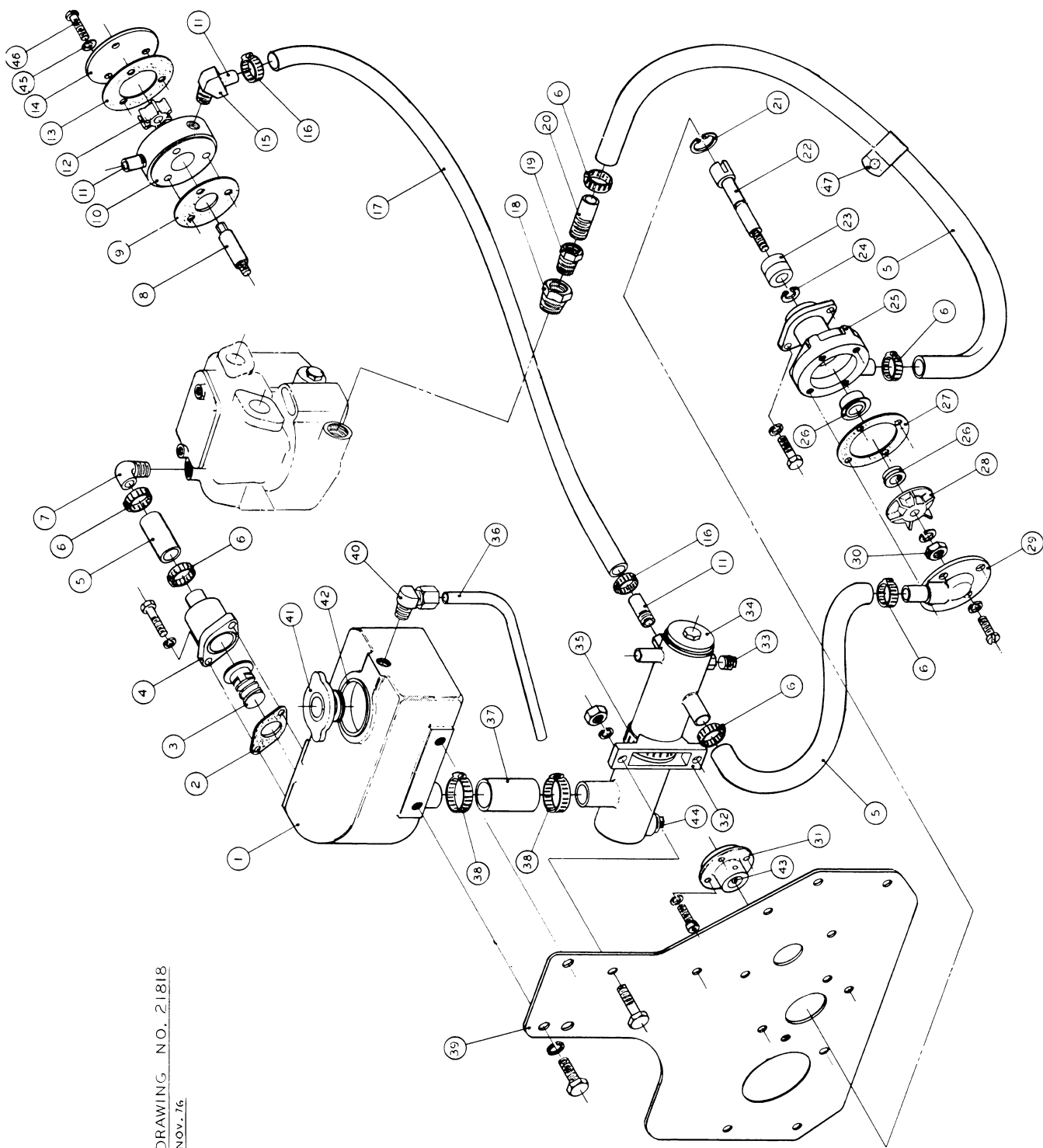
REF	PN	NAME	REMARKS	QUAN
1	17470	SHAFT	PUMP	1
2	17469	HOSE	SPECIFY LENGTH	1
3	17468	TUBE	90 DEGREE	4
4	17461	NUT	TUBE ADAPTER	4
5	17463	ADAPTER	TUBE TO PUMP	2
7-1	17462	ADAPTER	HOSE TO CYLINDER - DS/WPD3	1
7-2	23110	ADAPTER	HOSE TO CYLINDER - FROM 1240	1
7-3	23102	ADAPTER	INSERT ASSEMBLY - FROM 474 W7/WPD4	1
11	17475	SHIM	PUMP ADAPTER	1
12-1	17471	STUD	PUMP - DS/WPD3	4
12-2	23111	STUD	WATER PUMP	4
13-1	17467	GASKET	PUMP COVER - DS/WPD3	1
13-2	23106	GASKET	PUMP COVER - W7/WPD4	1
14-1	17466	IMPELLER	PUMP - 6 BLADE	1
14-2	18999	IMPELLER	PUMP - 8 BLADE	1
14-3	23105	IMPELLER	PUMP - W7/WPD4	1
16-1	17464	PUMP	COMPLETE - DS/WPD3	1
16-2	23104	PUMP	COMPLETE	1
20	17465	SEAL	PUMP	1
21	17475	WASHER	SEALING	1
22	17474	PLATE	PUMP TO ADAPTER HOUSING	1
23	17472	HOUSING	PUMP TO ENGINE	1



DRWG NO. 21819
SEPT. 77

WPD4 - COOLING SYSTEM - 1976

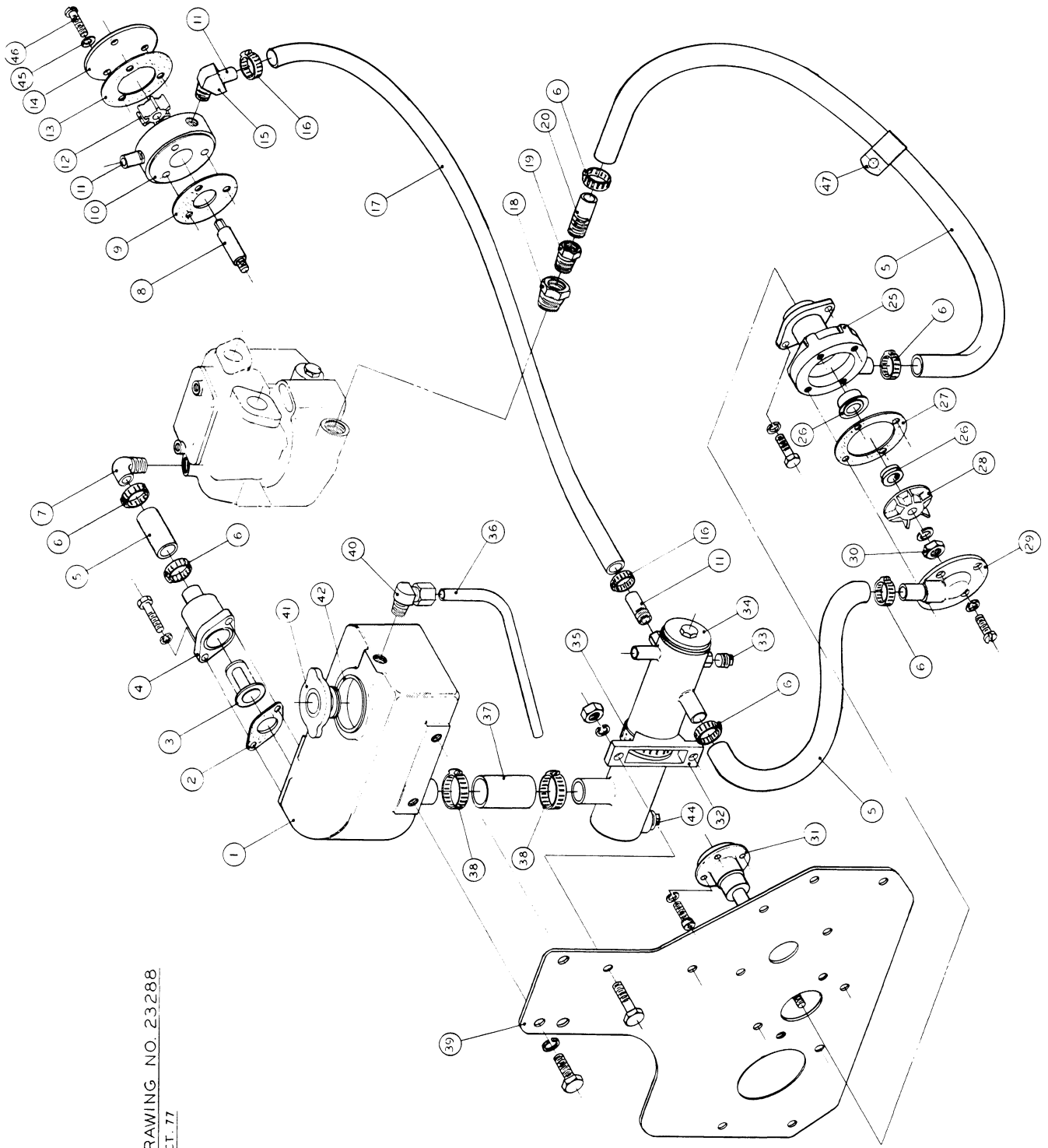
REF	PN	NAME	REMARKS	QUAN
1	20666	TANK	SURGE	1
2	20289	GASKET	THERMOSTAT HOUSING TO TANK	1
3	20679	THERMOSTAT		1
4-1	20292	HOUSING	THERMOSTAT	1
4-2	11190	GASKET	THERMOSTAT HOUSING	1
5	11517	HOSE	HEATER	AR
6	11341	CLAMP	HOSE	6
9	16666	GASKET	SEA WATER PUMP	1
10	15263	HOUSING	SEA WATER PUMP	1
11	16690	NIPPLE	SEA WATER PUMP HOUSING	3
12	18999	IMPELLER	SEA WATER PUMP	1
13	16665	GASKET	COVER TO SEA WATER PUMP	1
14	15257	COVER	SEA WATER PUMP HOUSING	1
16	17298	CLAMP	SEA WATER HOSE	2
17	16694	HOSE	SEA WATER PUMP TO EXCHANGER	AR
18	19035	BUSHING	FRESH WATER INLET	1
19	11659	BUSHING	FRESH WATER INLET	1
20	13519	NIPPLE	FRESH WATER INLET	2
25	19392	HOUSING	FRESH WATER PUMP	1
26	20662	SEAL	FRESH WATER PUMP	1
27	20658	GASKET	FRESH WATER PUMP	1
28	19402	IMPELLER	FRESH WATER PUMP	1
29	19390	COVER	FRESH WATER PUMP	1
30	21457	LOCKNUT	FRESH WATER PUMP	1
31	20676	SHAFT	FRESH WATER PUMP	1
32	21467	BRACKET	HEAT EXCHANGER MOUNTING	1
33	19369	PLUG	HEAT EXCHANGER	1
34	20519	EXCHANGER	HEAT	1
35	11411	CLAMP	HEAT	1
36	11500	TUBE	SURGE TANK OVERFLOW	1
37	11501	HOSE	SURGE TANK TO HEAT EXCHANGER	AR
38	11405	CLAMP	HOSE	2
40	13329	ELBOW	SURGE TANK DRAIN	1
41	11499	CAP	PRESSURE	1
42	11751	NECK	FILLER	1
43	20979	PIN	FRESH WATER PUMP SHAFT	1
44	11885	ZINC	SACRIFICIAL ANODE	1
45	19005	WASHER	COPPER	3
46	15271	SCREW	COVER TO HOUSING	3
47	13760	CLAMP	HEATER HOSE	2
48	11656	HOSE	THERMOSTAT HOUSING	1
49	13338	ELBOW	FRESH WATER OUTLET	1
50	21542	BUSHING	FRESH WATER OUTLET	1
51	17531	GASKET	FRESH WATER OUTLET BUSHING	3
52	17470	SHAFT	SEA WATER PUMP	1
53	20742	ADAPTER	SEA WATER PUMP MOUNTING	1
54	17465	SEAL	SEA WATER PUMP	1
55	13340	ELBOW	HEAT EXCHANGER	1
56	20972	PLATE	FRESH WATER PUMP MOUNTING	1
57	20967	PLATE	SURGE TANK MOUNTING	1



DRAWING NO. 21818
NOV. 76

WESTERBEKE 7 - COOLING SYSTEM - 1976

REF	PN	NAME	REMARKS	QUAN
1	20666	TANK	SURGE	1
2	20289	GASKET	THERMOSTAT HOUSING TO TANK	1
3	20679	THERMOSTAT		1
4	20292	HOUSING	THERMOSTAT	1
5	11517	HOSE	HEATER	AR
6	11341	CLAMP	HEATER HOSE	6
7	20664	ELBOW	FRESH WATER OUTLET	1
8	17217	SHAFT	SEA WATER PUMP	1
9	1666	GASKET	SEA WATER PUMP	1
10	15263	HOUSING	SEA WATER PUMP	1
11	16690	NIPPLE	SEA WATER PUMP HOUSING	3
12	18999	IMPELLER	SEA WATER PUMP	1
13	16665	GASKET	COVER TO SEA WATER PUMP	1
14	15257	COVER	SEA WATER PUMP HOUSING	1
15	13927	ELBOW	SEA WATER PUMP TO EXCHANGER	1
16	17298	CLAMP	SEA WATER HOSE	2
17	16694	HOSE	SEA WATER PUMP TO EXCHANGER	AR
18	19035	BUSHING	FRESH WATER INLET	1
19	11659	BUSHING	FRESH WATER INLET	1
20	13519	NIPPLE	FRESH WATER INLET	1
21	20669	RING	RETAINING - FRESH WATER PUMP SHAFT	1
22	18346	SHAFT	FRESH WATER PUMP	1
23	20671	BEARING	FRESH WATER PUMP	2
24	20668	RING	RETAINING - FRESH WATER PUMP HOUSING	1
25	19392	HOUSING	FRESH WATER PUMP	1
26	20662	SEAL	FRESH WATER PUMP	1
27	20658	GASKET	FRESH WATER PUMP	1
28	19402	IMPELLER	FRESH WATER PUMP	1
29	19390	COVER	FRESH WATER PUMP	1
30	21457	LOCKNUT	FRESH WATER PUMP	1
31	20676	SHAFT	FRESH WATER PUMP	1
32	21467	BRACKET	HEAT EXCHANGER MOUNTING	1
33	19369	PLUG	HEAT EXCHANGER	1
34	20519	EXCHANGER	HEAT	1
35	11411	CLAMP	HEAT EXCHANGER	1
36	11500	TUBE	SURGE TANK OVERFLOW	1
37	11501	HOSE	SURGE TANK TO HEAT EXCHANGER	AR
38	11405	CLAMP	HOSE	2
39	19448	PLATE	SURGE TANK MOUNTING	1
40	13329	ELBOW	SURGE TANK DRAIN	1
41	11499	CAP	PRESSURE	1
42	11751	NFCK	FILLER	1
43	20979	PIN	FRESH WATER PUMP SHAFT	1
44	11885	ZINC	SACRIFICIAL ANODE	1
45	19005	WASHER	COPPER	3
46	15271	SCREW	COVER TO HOUSING	3
47	13760	CLAMP	HEATER HOSE	1

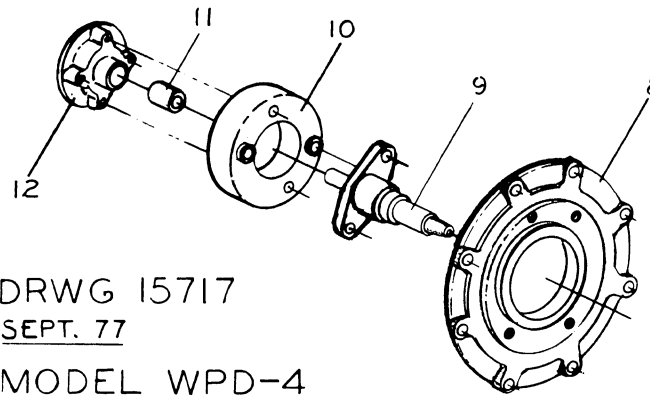


DRAWING NO. 23288
OCT. 77

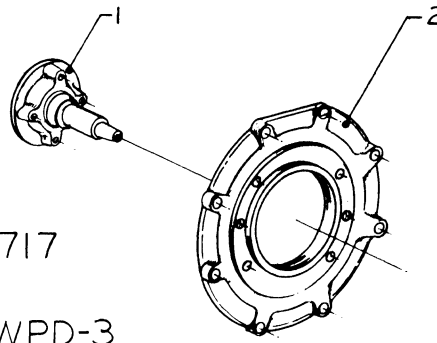
WESTERBEKE 7 - COOLING SYSTEM - SEPTEMBER 1977

REF	PN	NAME	REMARKS	QUAN
1	20666	TANK	SURGE	1
2	20289	GASKET	THERMOSTAT HOUSING TO TANK	1
3	20679	THERMOSTAT		1
4	20292	HOUSING	THERMOSTAT	1
5	11517	HOSE		AR
6	11341	CLAMP	CABLE	6
7	20664	ELBOW		1
8	17217	SHAFT	SEA WATER PUMP	1
9	16666	GASKET	SEA WATER PUMP	1
10	15263	HOUSING	SEA WATER PUMP	1
11	16690	NIPPLE		3
12	18999	IMPELLER	SEA WATER PUMP	1
13	16665	GASKET	COVER TO SEA WATER PUMP	1
14	15257	COVER		1
15	13927	ELBOW		1
16	17298	CLAMP	SEA WATER HOSE	2
17	16694	HOSE	SEA WATER PUMP TO EXCHANGER	AR
18	19035	BUSHING		1
19	11659	BUSHING		1
20	13519	NIPPLE		1
25	22294	HOUSING		1
26	20662	SEAL		1
27	20658	GASKET		1
28	19402	IMPELLER		1
29	19390	COVER		1
30	21457	LOCKNUT	1/4 - 28NF	1
31	22288	SHAFT	ASSEMBLY	1
32	21467	BRACKET		1
33	19369	PLUG	1/8 NPT - BRASS	1
34	20519	EXCHANGER	HEAT	1
35	11411	CLAMP		1
36	11500	TUBE	SURGE TANK OVERFLOW	9 $\frac{1}{4}$
37	11501	HOSE	1 1/4 I.D.	1 $\frac{1}{2}$
38	11405	CLAMP	HOSE	2
39	19448	PLATE		1
40	13329	ELBOW	SURGE TANK DRAIN	1
41	11499	CAP	PRESSURE	1
42	11751	FILLER	NECK	1
44	11885	ZINC	SACRIFICIAL ANODE	1
45	19005	WASHER	COPPER	3
46	15271	SCREW	COVER TO HOUSING	3
47	13760	CLAMP	HOSE	1

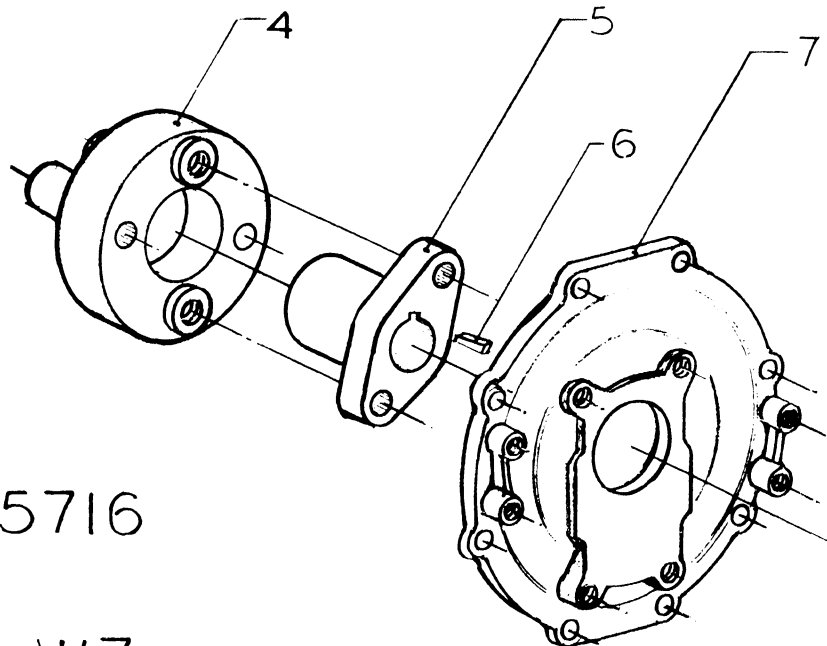
WESTERBEKE 7/DS/WPD3/WPD4: BACK END ARRANGEMENTS



DRWG 15717
SEPT. 77
MODEL WPD-4



DRWG 15717
MAY 72
MODEL WPD-3



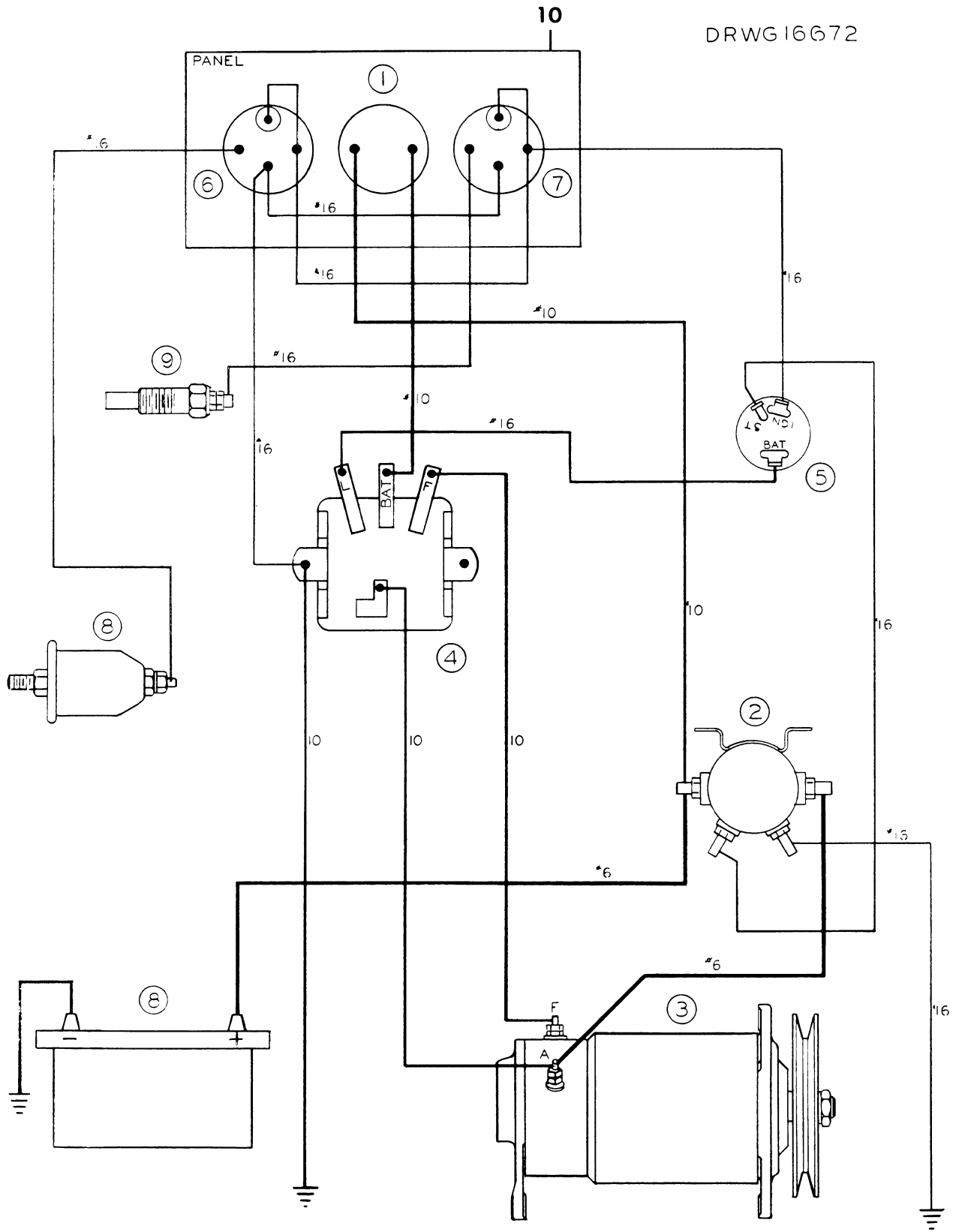
DRWG 15716
SEPT. 77
MODEL W7

WESTERBEKE 7/DS/WPD3/WPD4: BACK END ARRANGEMENTS

REF	PN	NAME	REMARKS	QUAN
1-1	16467	SHAFT	GENERATOR DRIVE - PC GENERATOR	1
1-2	16507	SHAFT	GENERATOR DRIVE - YCB GENERATOR	1
2	13430	PLATE	ADAPTS 3KW GENERATOR TO FLYWHEEL HOUSING	1
4	15681	DRIVE	FLEXIBLE - REPLACES 16420 AND 16441	1
5	13416	COUPLING	DRIVE TO TRANSMISSION INPUT SHAFT	1
6	16721	KEY		1
7	16027	PLATE	ADAPTS TRANSMISSION TO CRANKCASE	1
8	20750	PLATE	ADAPTS 4KW GENERATOR TO FLYWHEEL HOUSING	1
9	21991	DRIVE	SHAFT - ENGINE TO GENERATOR	1
10	21989	COUPLING	FLEXIBLE	1
11	22265	BEARING		1
12	21990	COUPLING	DRIVE - FLYWHEEL	1

PROPULSION ELECTRICAL: STARTER - GENERATOR

DRWG 16672

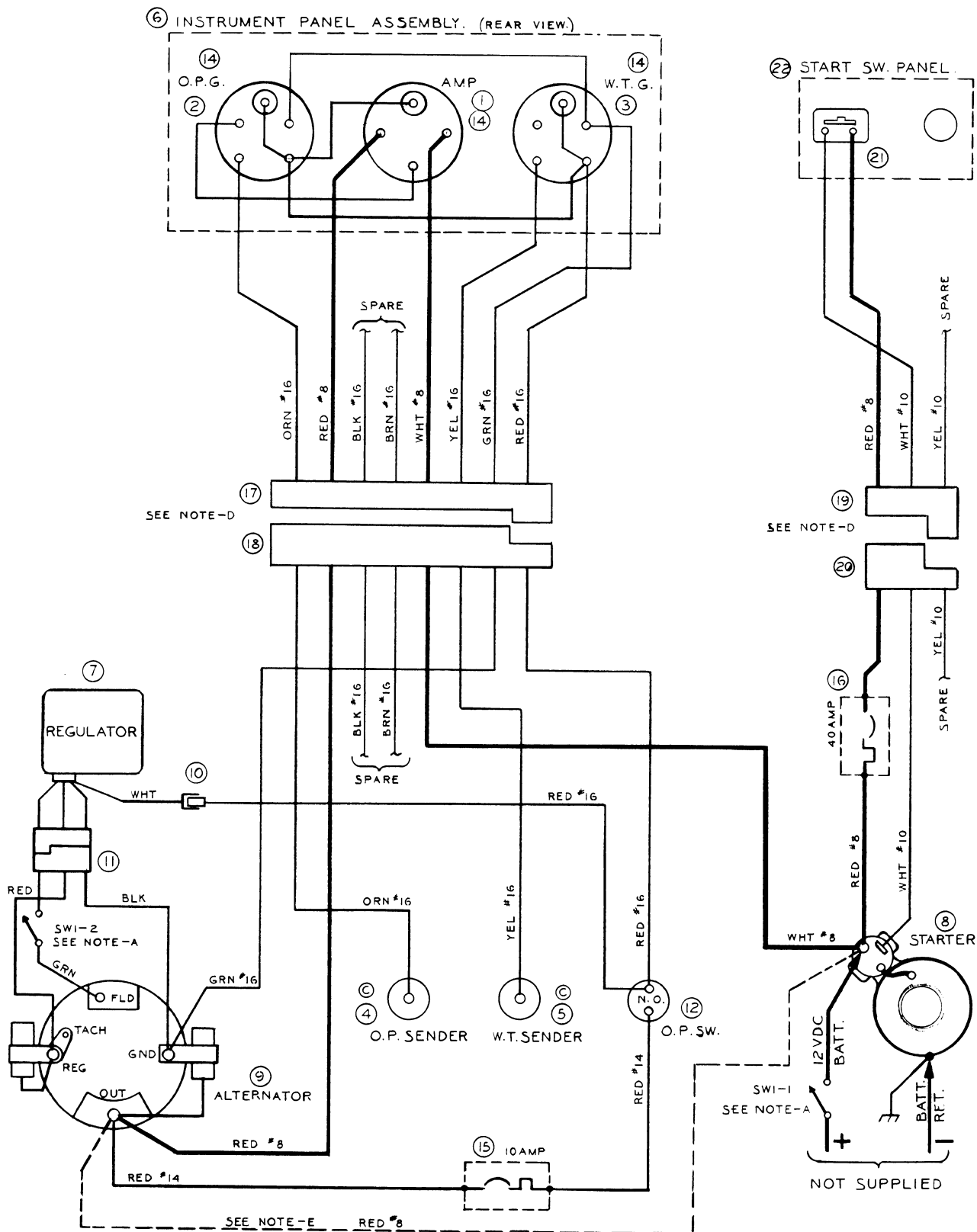


PROPULSION ELECTRICAL: STARTER - GENERATOR

REF	PN	NAME	REMARKS	QUAN
1	16659	AMMETER		1
2	11489	SOLENOID	START	1
3	16435	STARTER	COMBINATION STARTER/GENERATOR	1
4	16438	REGULATOR	STARTER/GENERATOR	1
5	11956	KEYSWITCH	3 TERMINAL	1
6	11544	GAUGE	OIL PRESSURE	1
7	11545	GAUGE	WATER TEMPERATURE	1
8	11542	SENDER	OIL PRESSURE	1
9	11543	SENDER	WATER TEMPERATURE	1
10-1	16763	PANEL	EXCLUDES SENDERS	1
10-2	16668	PANEL	WITHOUT INSTRUMENTS	1
10-3	12972	SCREW	PANEL MOUNTING	1

PROPULSION ELECTRICAL: STARTER - ALTERNATOR

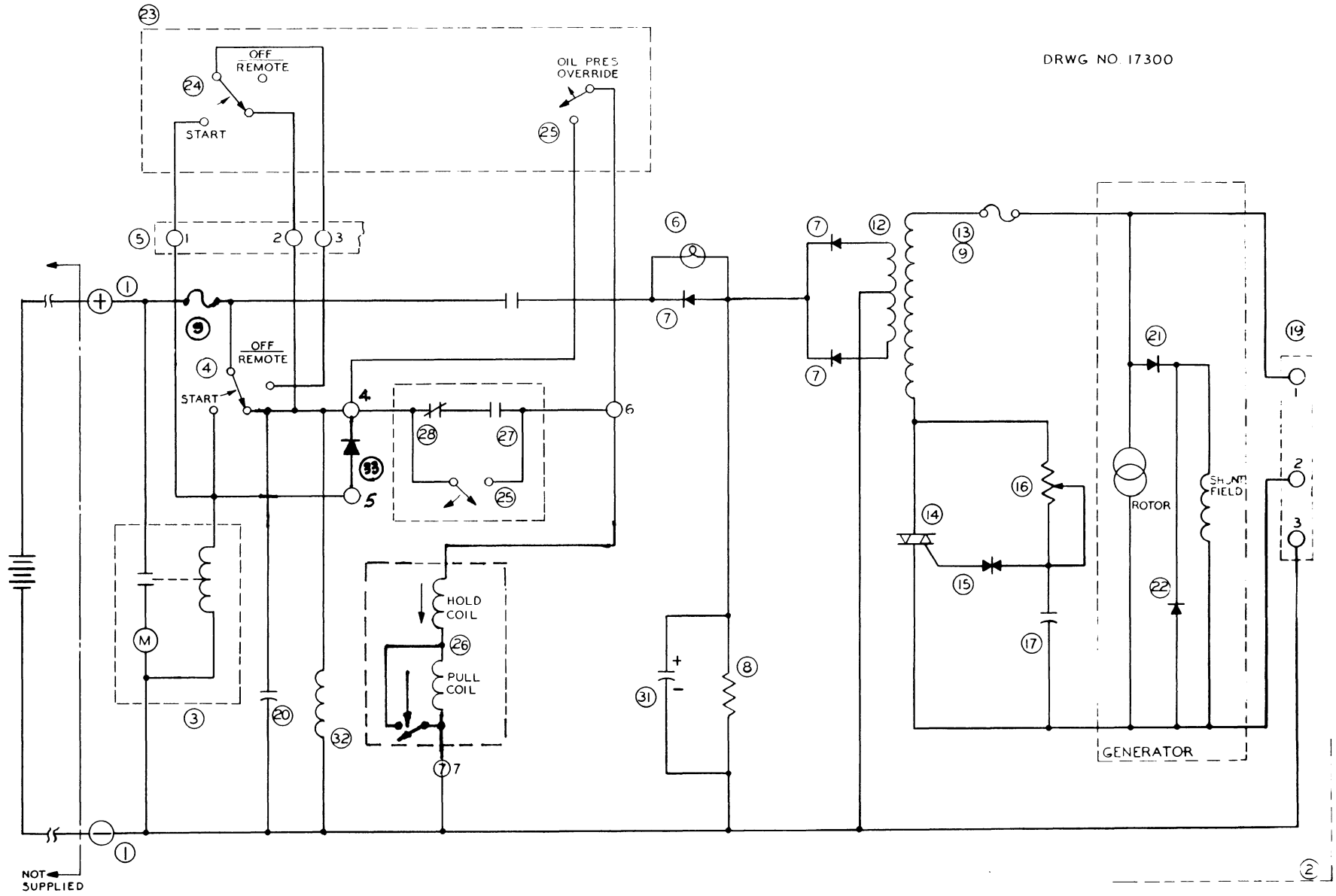
WIRING DIAGRAM.



PROPULSION ELECTRICAL: STARTER - ALTERNATOR

REF	PN	NAME	REMARKS	QUAN
1	11581	AMMETER	SW	1
2	11544	GAUGE	OIL PRESSURE - SW	1
3	11545	GAUGE	WATER TEMPERATURE - SW	1
4	11542	SENDER	OIL PRESSURE	1
5	11543	SENDER	WATER TEMPERATURE	1
6-1	16668	PANEL	WITHOUT GAUGES	1
6-2	16763	PANEL	WITH GAUGES	1
7	11550	REGULATOR		1
8	16735	STARTER		1
9	19270	ALTERNATOR	55 AMP - 12 VOLT - NEGATIVE GROUND	1
10	11670	WIRE	REGULATOR - EXCITATION	1
11	11675	CABLE	ALTERNATOR TO REGULATOR	1
12	11383	SWITCH	OIL PRESSURE - NO	1
14	11432	LAMP		3
15	20946	BREAKER	10 AMP	1
16	20947	BREAKER	40 AMP	1
17	19209	CABLE	INSTRUMENT PANEL	1
18	19208	HARNESS	ENGINE TO INSTRUMENT PANEL	1
19	19206	CABLE	STARTING PANEL	1
20	19205	HARNESS	ENGINE - STARTING	1
21	11957	SWITCH	PUSHBUTTON	1
22	19203	PANEL	START	1

DRWG NO. 17300

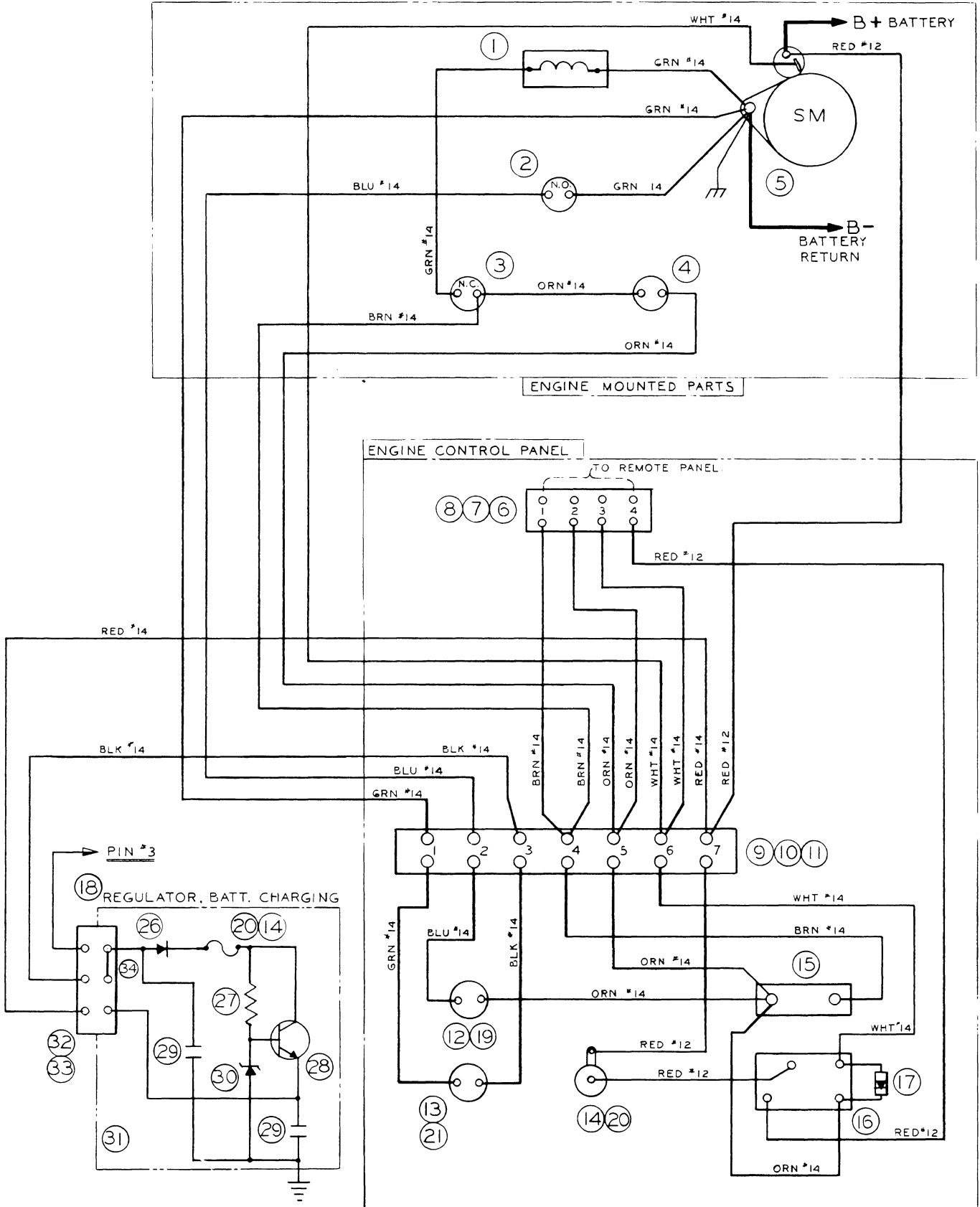


GENERATOR CONTROLS (2.5KW PC)

GENERATOR CONTROLS (3.5KW PC)

REF	PN	NAME	REMARKS	QUAN
1-1	16090	STUD	BATTERY CONNECTION	1
1-2	16091	NUT		8
1-3	16502	LOCKWASHER		8
1-4	16503	WASHER	FLAT	8
1-5	16504	WASHER	SHOULDER	4
2-1	16463	PANEL	COMPLETE	1
2-2	13439	PANEL	SHEET METAL ONLY	1
2-3	13563	CLAMP	HARNESS - INSIDE PANEL	1
2-4	16719	GROMMET	PANEL - CONTROL WIRE BUNDLE	1
2-5	17306	BUSHING	PANEL - OUTPUT WIRES	1
2-6	17307	PLUG	PANEL - OUTPUT WIRE HOLE	1
3-1	16735	STARTER		1
3-2	17478	BRACKET	STARTER TO CRANKCASE	1
4	16681	SWITCH	START	1
5-1	16724	BLOCK	7 TERMINAL	1
5-2	16725	MARKER	TERMINAL BLOCK - 7 TERMINAL	1
5-3	13855	PLATE	TERMINAL BLOCK SECURING	1
6-1	11467	BULB	CHARGE LIGHT - 24 VOLT	1
6-2	11429	SOCKET	CHARGE LIGHT	1
7-1	16082	DIODE		3
7-2	16385	BRACKET	DIODE MOUNTING	1
8	16704	RESISTOR	CHARGE BLEED	1
9-1	11457	FUSE	5 AMP - SLOW BLOW	2
9-2	11454	FUSEHOLDER		1
12	16083	TRANSFORMER		1
13	16751	FUSEHOLDER		1
14	16361	TRIAC		1
15	16085	DIAC		1
16	16684	RESISTOR	VARIABLE	1
17	16362	CAPACITOR		1
19-1	16695	BLOCK	3 TERMINAL - OUTPUT	1
19-2	16696	MARKER	OUTPUT TERMINAL BLOCK	1
19-3	13856	PLATE	TERMINAL BLOCK SECURING	1
20	16703	CAPACITOR	ARC SUPPRESSING	1
21	16485	DIODE		1
22	16486	DIODE		1
23-1	16513	NAMEPLATE	REMOTE CONTROL PANEL	1
23-2	16717	PANEL	REMOTE - FOR USE WITH PROTECTIVE CONTROLS	1
23-3	16697	PANEL	REMOTE - FOR USE WITHOUT PROTECTIVE CONTROLS	1
23-4	16726	PLUG	OVERRIDE SWITCH MOUNTING HOLE	1
24	16681	SWITCH	REMOTE START	1
25	16722	SWITCH	OIL PRESSURE CIRCUIT OVERRIDE	2
26-1	23041	SOLENOID	FUEL LEVER (REPLACES 15190)	1
26-2	15184	BRACKET	SOLENOID MOUNTING	1
26-3	12610	SPRING	PLUNGER (NOT REQUIRED ON 23041)	1
26-4	16750	BLOCK	3 TERMINAL	1
26-5	15186	LEVER	FUEL - SOLENOID	1
26-6	15183	SCREW	SOLENOID PLUNGER	1
26-7	15189	TENSIONER	PLUNGER SPRING (NOT REQUIRED ON 23041)	1
27	11383	SWITCH	OIL PRESSURE - NORMALLY OPEN	1
28-1	12884	SWITCH	WATER TEMPERATURE - NORMALLY CLOSED	1
28-2	13350	TEE	WATER TEMPERATURE SWITCH MOUNTING	1
31	16720	CAPACITOR		1
32	17236	RELAY	CHARGE CIRCUIT	1
33	11460	DIODE	START CIRCUIT - SOLENOID HOLD ON	1

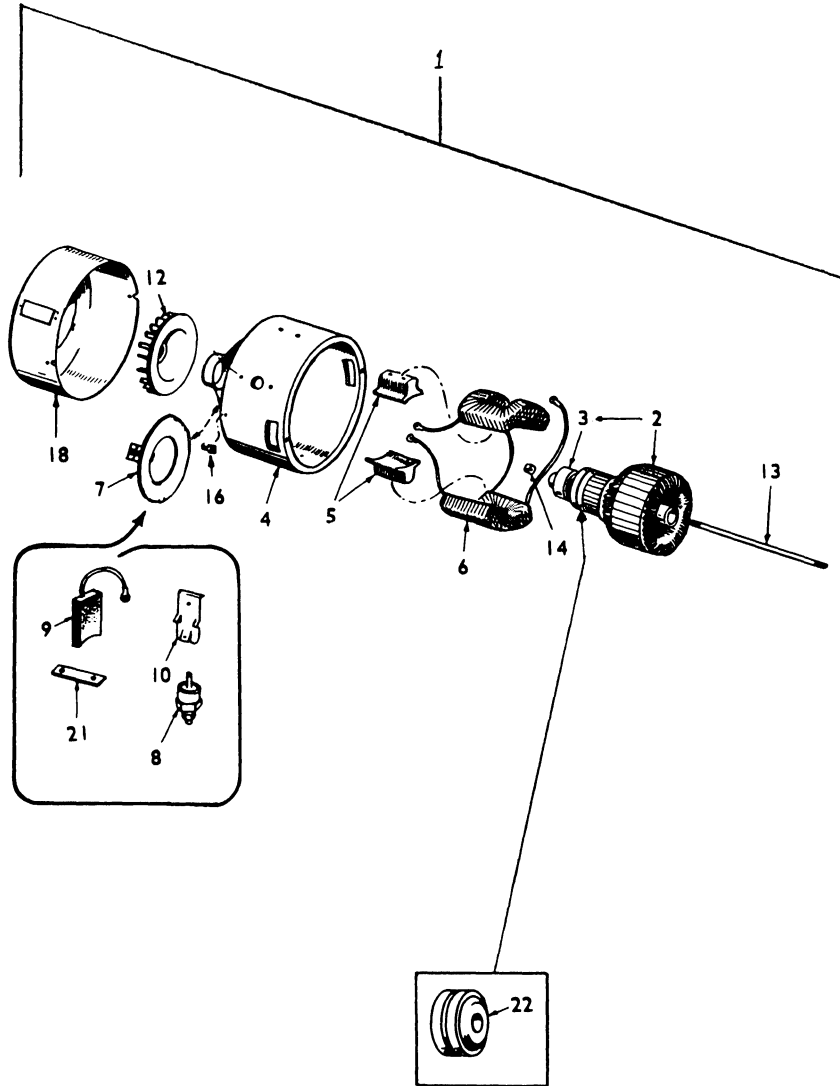
GENERATOR CONTROLS: 3KW & 4KW YCB



GENERATOR CONTROLS: 3KW & 4KW YCB

REF	PN	NAME	REMARKS	QUAN
1	23041	SOLENOID	FUEL SHUTDOWN	1
2	13382	SWITCH	HIGH WATER TEMPERATURE - NORMALLY OPEN	1
3	12884	SWITCH	WATER TEMPERATURE - NORMALLY CLOSED	1
4	11383	SWITCH	OIL PRESSURE	1
5	16735	MOTOR	ELECTRIC STARTER	1
6	20974	BLOCK	4 TERMINAL	1
7	20975	STRIP	MARKER	1
8	15222	PLATE	STRADDLE	2
9	16724	BLOCK	7 TERMINAL	1
10	16725	STRIP	MARKER - 7 TERMINAL	1
11	15718	PLATE	STRADDLE	2
12	11432	LAMP	14.4 VOLT	1
13	11467	LAMP	28 VOLT	1
14	11454	FUSEHOLDER		1
15	16722	SWITCH	OIL PRESSURE OVERRIDE	1
16	16681	SWITCH	LOCAL AND REMOTE START	1
17	11460	DIODE		1
18	20655	CHARGER	BATTERY	1
19	11429	SOCKET	LAMP (RED LENS)	1
20	11464	FUSE	10 AMP SLOW BLOW	1
21	20757	SOCKET	LAMP (GREEN LENS)	1
22	20976	FUSE	15 AMP	1
23	16695	BLOCK	3 TERMINAL	1
24	16696	STRIP	MARKER - 3 TERMINAL	1
25	13856	PLATE	STRADDLE	2
26	22016	DIODE		1
27	16704	RESISTOR		1
28	22015	TRANSISTOR		1
29	16703	CAPACITOR		2
30	22014	DIODE	ZENER	1
31	22017	HEAT SINK		1
32	16750	BLOCK	3 TERMINAL	1
33	13855	PLATE	STRADDLE	2
34	15139	JUMPER		1

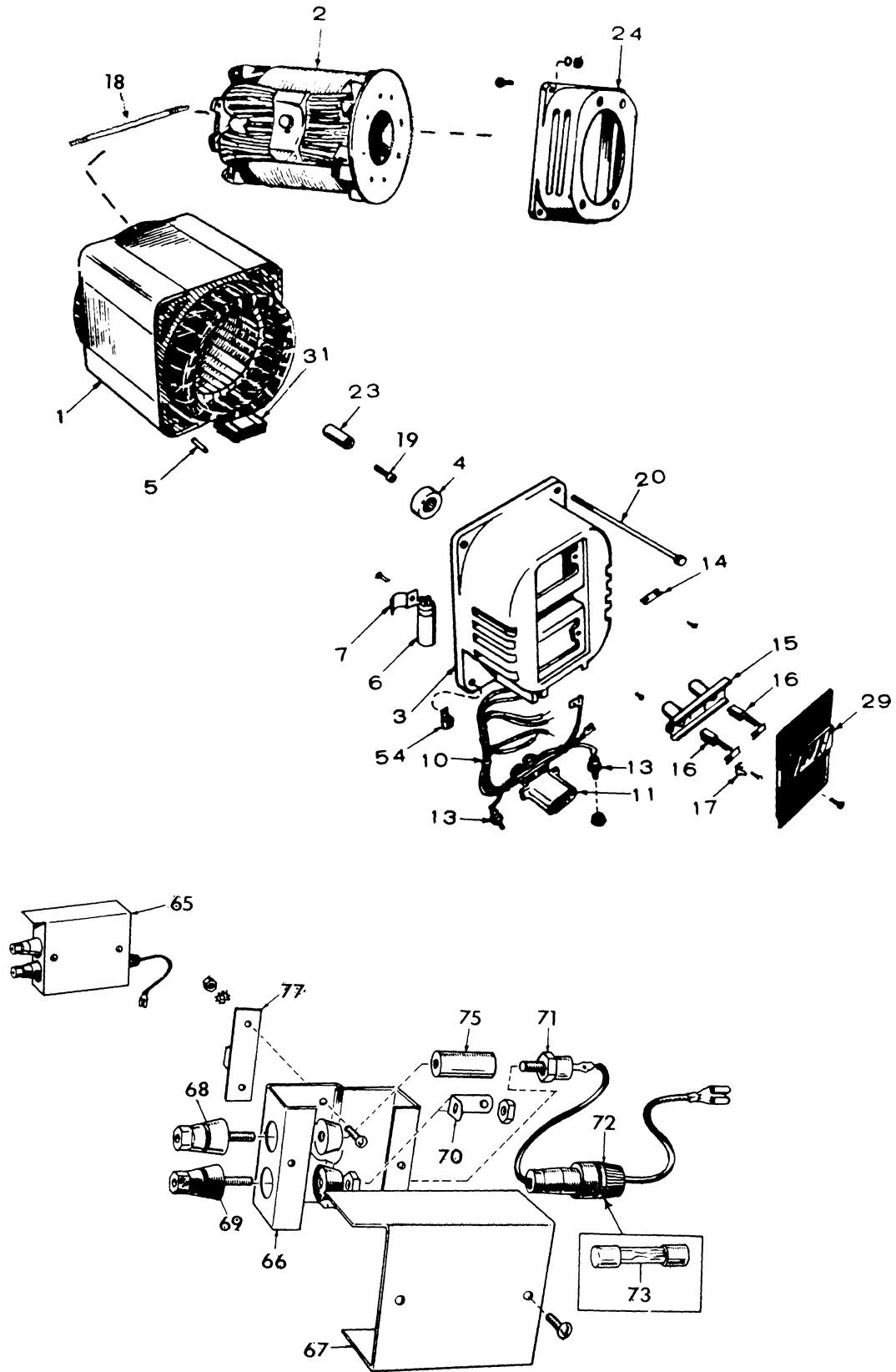
3.5KW PC GENERATOR



3.5KW PC GENERATOR

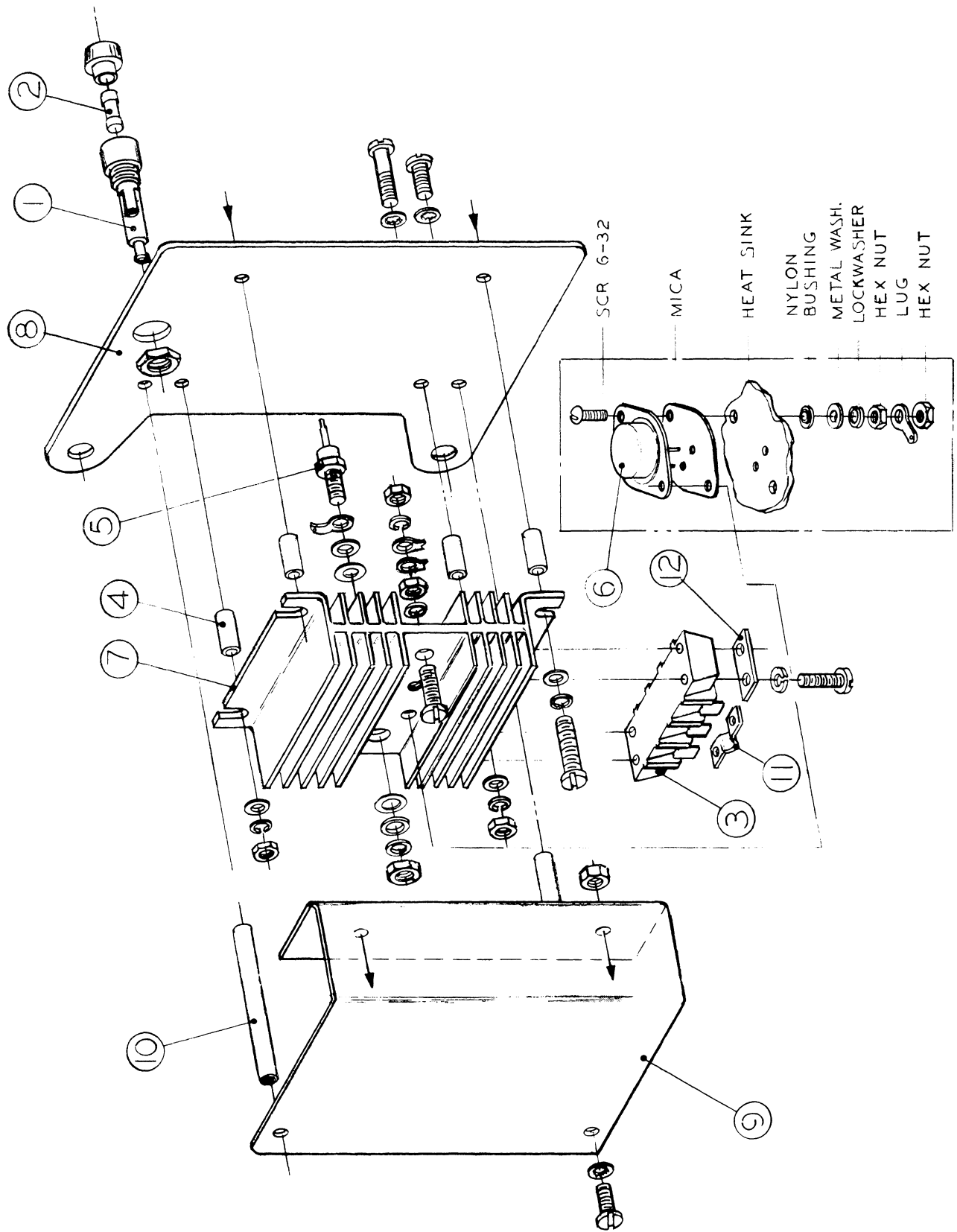
REF	PN	NAME	REMARKS	QUAN
1	16089	GENERATOR	COMPLETE - 3.5KW - 120VAC - 60HZ	1
2	17536	ARMATURE	120VAC - 60HZ	1
3	14277	BEARING	REAR - PROVIDE SPEC AND SERIAL NUMBERS	1
4	17539	FRAME	GENERATOR	1
5	17543	SHOE	POLE	2
6	17544	COTL	FIELD - SET OF TWO WIRED TOGETHER	1
7	17540	BRUSHRIG	ASSEMBLY	1
8	17548	RECTIFIER		2
9	17542	BRUSH	COLLECTOR RING	4
10	17541	SPRING	BRUSH - COLLECTOR RING	4
12	17538	BLOWER	GENERATOR	1
13	17549	STUD	ARMATURE	1
14	17535	NUT	ARMATURE STUD	1
16	17545	CLIP	END BELL COVER	2
18	17456	COVER	GENERATOR END	1
21	17547	STRIP	CONNECTOR - RECTIFIERS	1
22	17537	RING	COLLECTOR	1

YCB GENERATOR



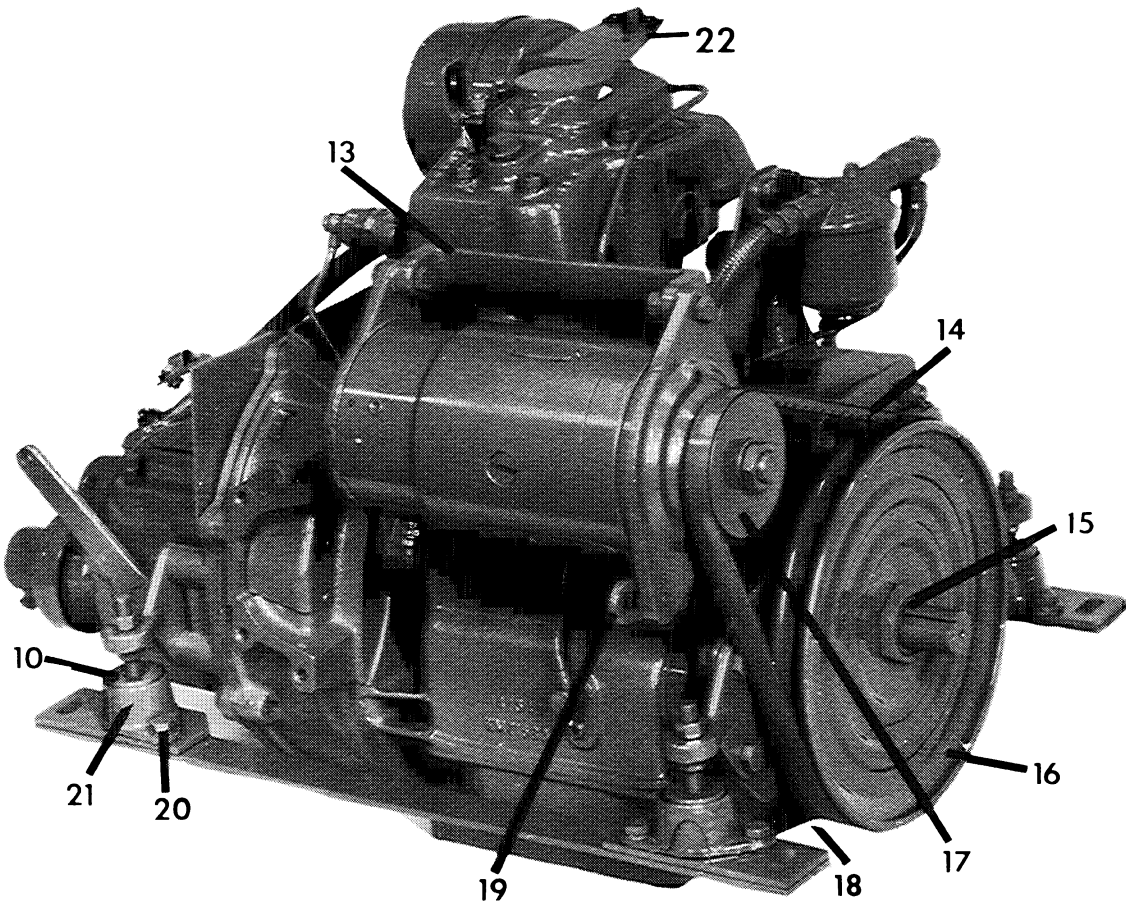
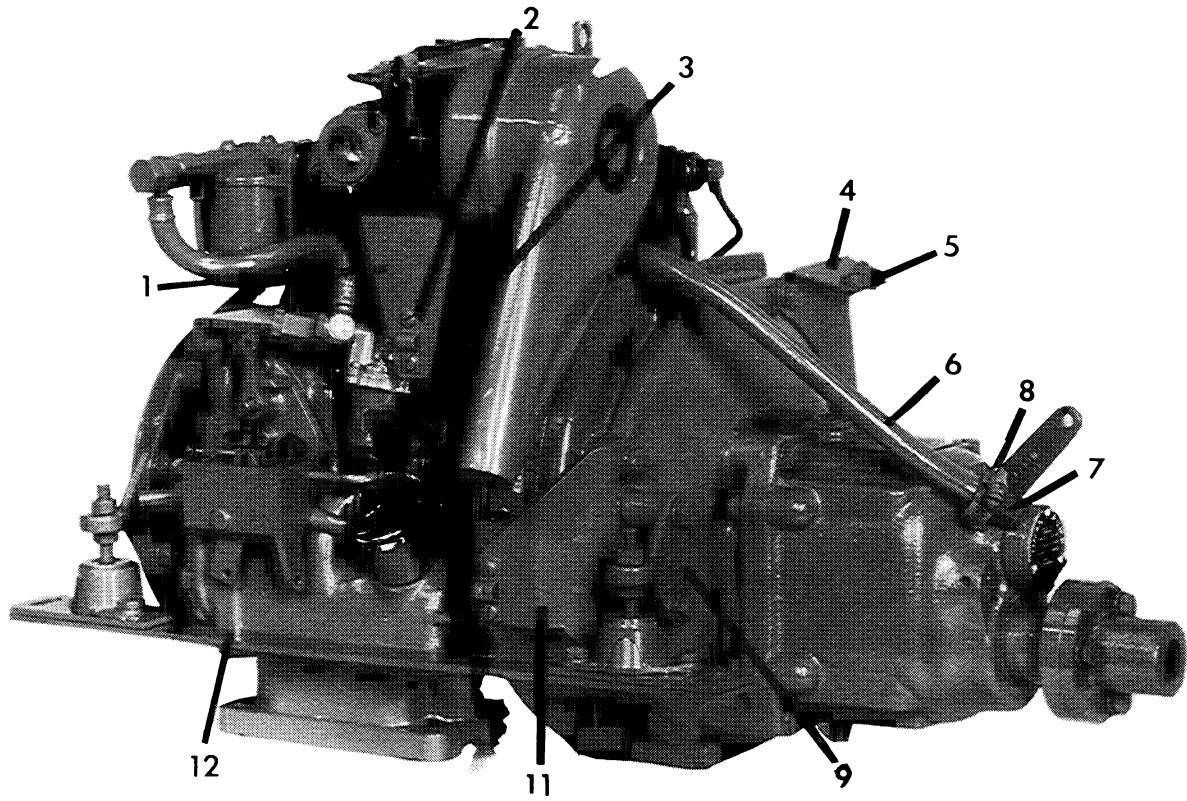
YCB GENERATOR

REF	PN	NAME	REMARKS	QUAN
1-1	21746	STATOR	ASSEMBLY - 3.0KW	1
1-2	21745	STATOR	ASSEMBLY - 4.0KW	1
2-1	21748	ROTOR	ASSEMBLY - 3.0KW	1
2-2	21747	ROTOR	ASSEMBLY - 4.0KW	1
3	21750	BELL	END	1
4	21751	BEARING	ROLLER	1
5	21769	PIN	LOCATING	4
6	21752	CAPACITOR		1
7	21753	BRACKET	CAPACITOR MOUNTING	1
10	21749	HARNESS	WIRING	1
11	21756	CONNECTOR	WIRING	1
13	18310	RECTIFIER	DIODE	2
14	21772	STRAP	GROUND	1
15	21758	GUIDE	GENERATOR BRUSH	1
16	21759	BRUSH	GENERATOR	2
17	21760	TERMINAL	TAB	1
18	21773	STUD	ROTOR - THROUGH	1
19	21768	NUT	ROTOR THROUGH STUD	1
20	21761	SCREW	GENERATOR - THROUGH	4
23	21764	SLEEVE	GENERATOR STUD	1
24	21774	ADAPTER	GENERATOR	1
29	21775	COVER	END BELL	1
31	21777	HOUSING	TAB CONNECTOR	1
36	21766	TERMINAL	GROUND	1
65	20655	CHARGER	ASSEMBLY - BATTERY - NON REGULATING	1
66	21755	BRACKET	BATTERY CHARGER TERMINAL	1
67	21762	COVER	BATTERY CHARGER BRACKET	1
68	21763	POST	BINDING - RED - BATTERY CHARGER	1
69	21765	POST	BINDING - BLACK - BATTERY CHARGER	1
70	21767	STRIP	TERMINAL - BATTERY CHARGER	1
71	18311	RECTIFIER	DIODE - BATTERY CHARGER	1
72	21778	HOLDER	FUSE - BATTERY CHARGER	1
73	21779	FUSE	15 AMP - BATTERY CHARGER	1
75	21780	SPACER	THREADED - BATTERY CHARGER	1
77	21781	BRACKET	BATTERY CHARGER MOUNTING	2



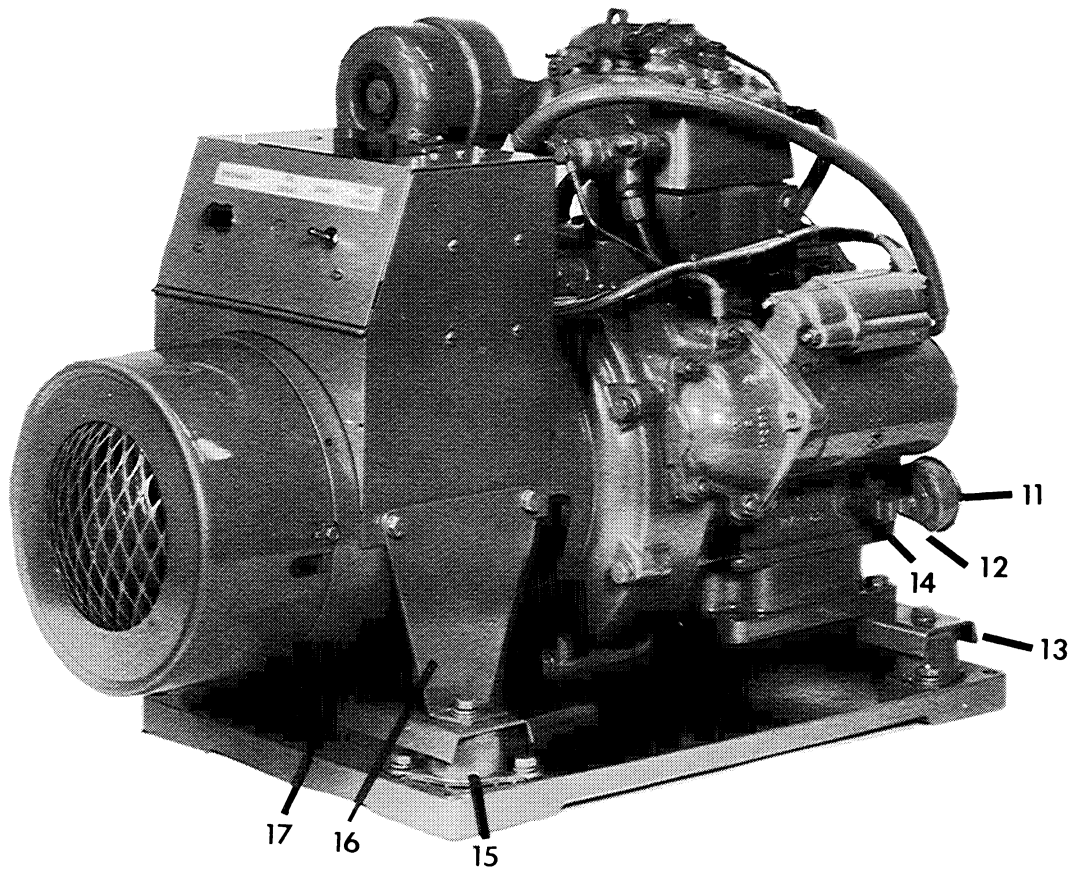
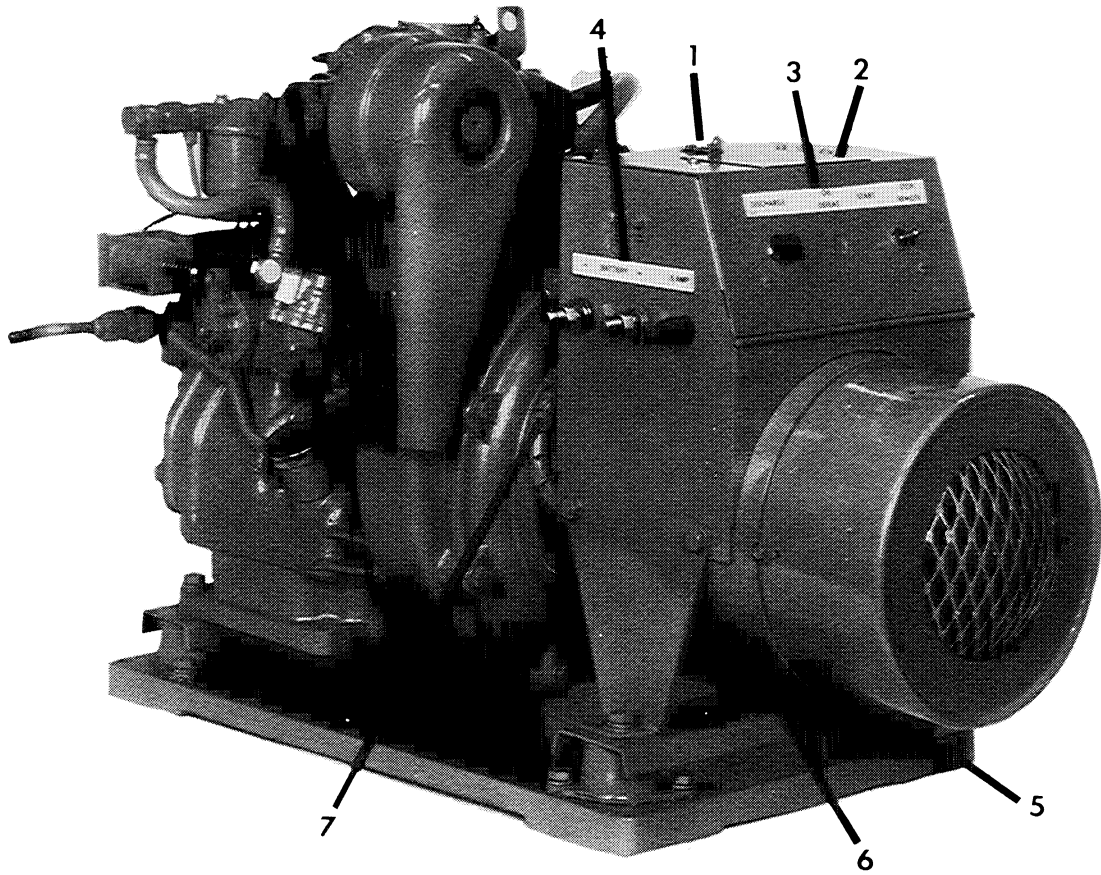
YCB BATTERY CHARGER - FEBRUARY 1977

REF	PN	NAME	REMARKS	QUAN
1	11454	FUSEHOLDER		1
2	11464	FUSE	10 ASB	1
3	16750	BLOCK		1
4	19123	SPACER		4
5-1	22014	DIODE	ZENER	1
5-2	22016	DIODE	RECTIFIER	1
6	22015	TRANSISTOR		1
7	22034	HEATSINK		1
8	21995	BRACKET		1
9	21996	COVER		1
10	22019	STANDOFF		2
11	15139	JUMPER		1
12	13855	PLATE		2



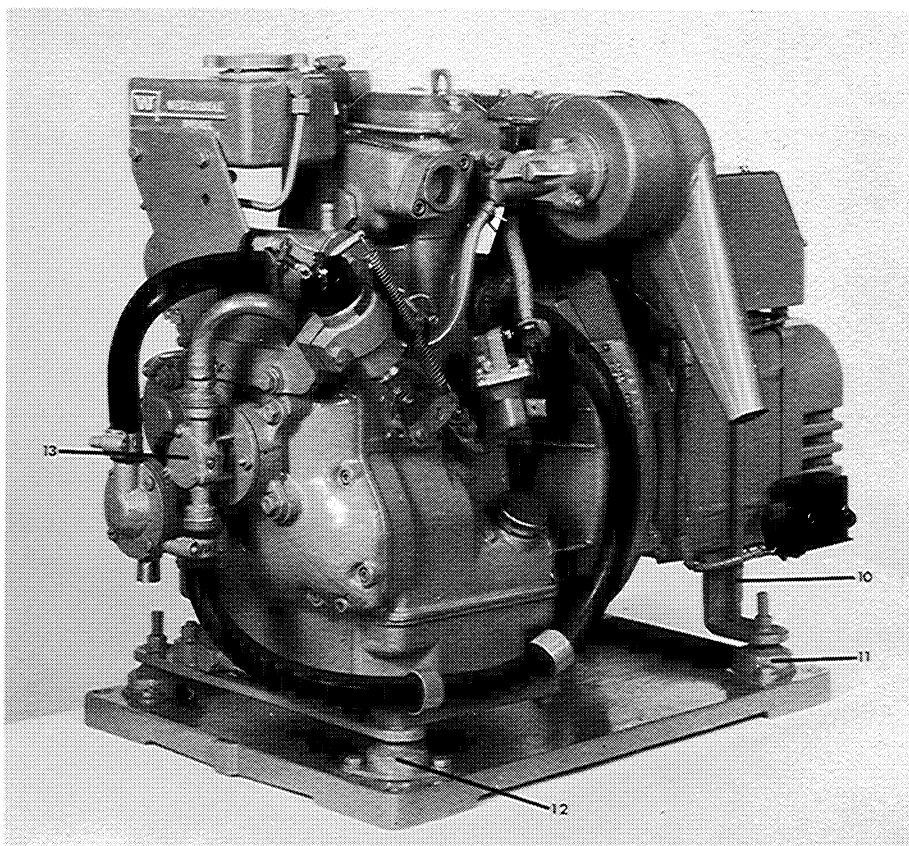
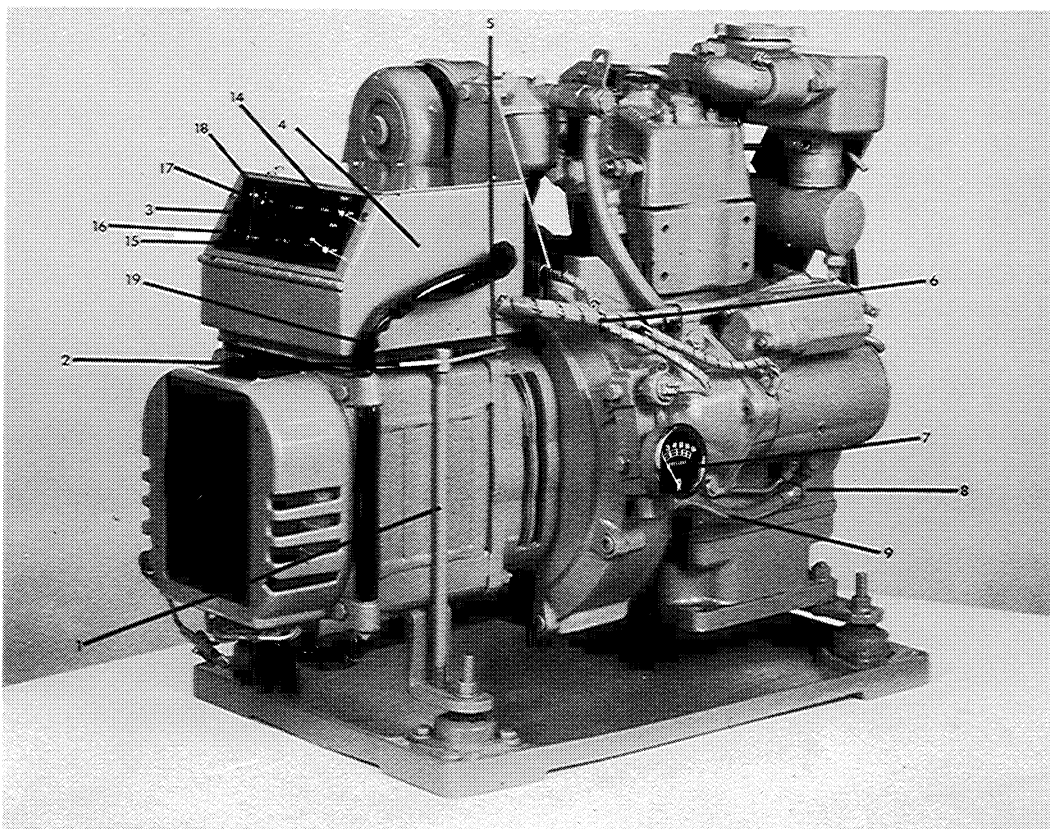
DS: MOUNTS - EXTERNAL COMPONENTS

REF	PN	NAME	REMARKS	QUAN
1	17798	BRACKET	STOP CABLE	1
2-1	13871	CLAMP	CABLE	2
2-2	13870	SHIM	CABLE CLAMP	1
3-1	16692	TEE	SEA WATER DRAIN	1
3-2	16691	BUSHING	SEA WATER DRAIN	1
3-3	11471	PETCOCK	SEA WATER DRAIN	1
4	16674	BRACKET	SHIFT LEVER	1
5-1	13870	SHIM	CLAMP	2
5-2	13325	CLAMP	SHIFT CABLE	2
6	16694	HOSE	SPECIFY LENGTH	1
7	13927	ELBOW		1
8-1	17298	CLAMP	HOSE	2
8-2	16690	NIPPLE	WATER PUMP OUTLET AND ENGINE INLET	2
9	16063	MOUNT	REAR LEFT AND RIGHT	4
10-1	13705	ISOLATOR	REAR	2
10-2	13660	ISOLATOR	FRONT	2
10-3	15201	STUD	ISOLATOR	4
11	16673	BRACKET	THROTTLE CABLE	1
12	16675	RAIL	RIGHT AND LEFT	2
13	16025	BRACKET	STARTER MOUNTING	1
14	15768	BELT	STARTER/GENERATOR	1
15-1	16437	HUB	CRANKSHAFT PULLEY	1
15-2	11868	KEY	HUB LOCKING	1
15-3	15997	LOCKWASHER	CRANKSHAFT PULLEY	1
16	15998	PULLEY	CRANKSHAFT	1
17	16440	PULLEY	STARTER/GENERATOR	1
18	16062	PLATE	FRONT MOUNT	1
19	11125	STRAP	STARTER ADJUSTING	1
20	16701	WASHER	SPECIAL	1
21	16511	CUP	ISOLATOR RETAINING	1
22	16687	BRACKET	DECOMPRESSION LEVER	1
23	16435	MOTOR	STARTER MOTOR/GENERATOR	1
24	20756	PLATE	FLYWHEEL HOUSING COVER	1



WPD3: MOUNTS - EXTERNAL COMPONENTS

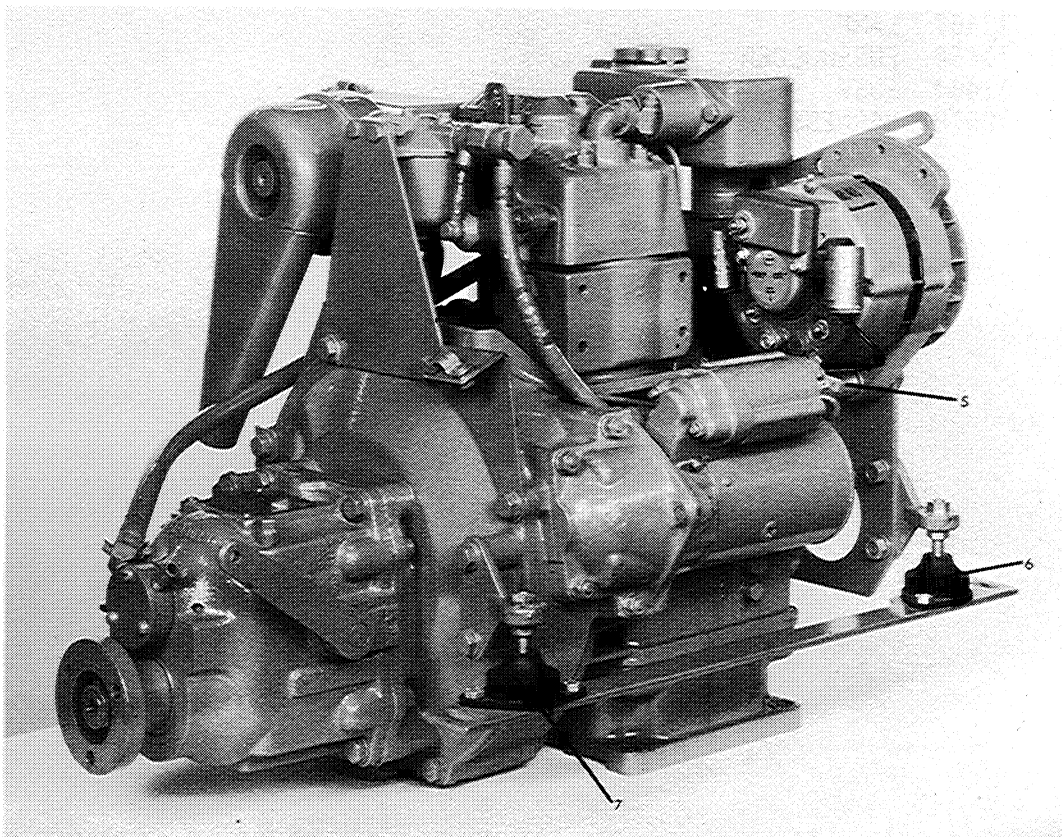
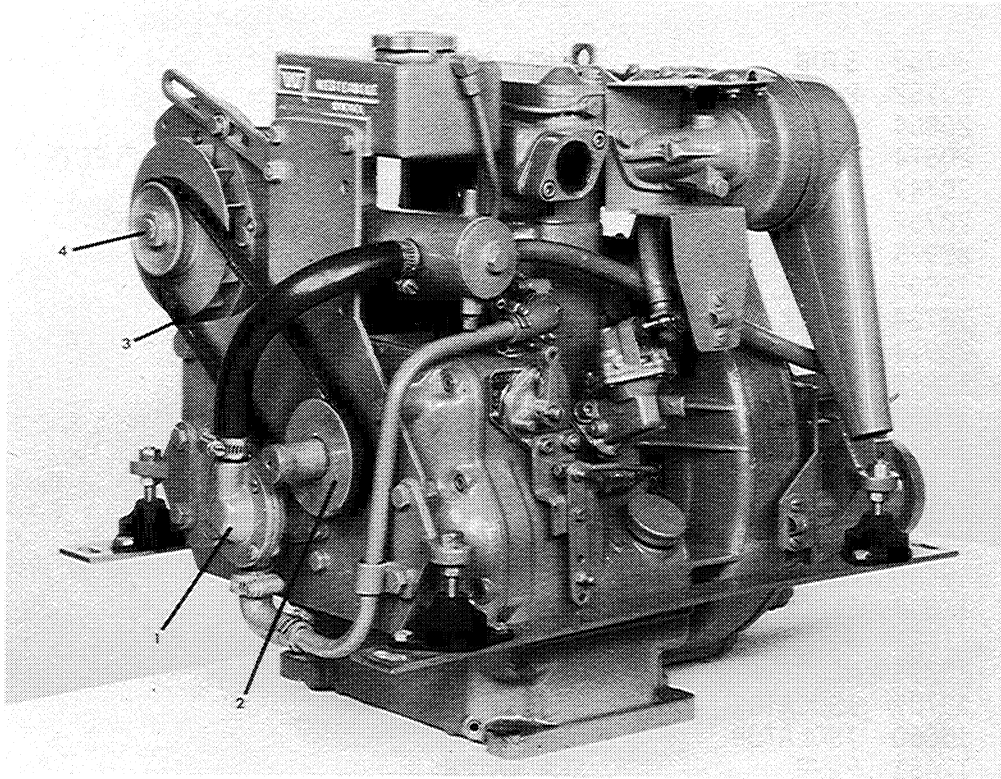
REF	PN	NAME	REMARKS	QUAN
1	16732	LATCH	PANEL COVER	1
2	16464	NAMEPLATE	ENGINE DATA	1
3	16461	NAMEPLATE	PANEL CONTROLS	1
4	16460	NAMEPLATE	BATTERY CONNECTIONS	1
5	13436	BASE		1
6	16476	SPACER		1
7-1	16394	HARNESS		1
7-2	13562	CLAMP	HARNESS	2
11	16686	GAUGE	OIL PRESSURE - MECHANICAL	1
12	13328	TEE		1
13	16471	CHANNEL	FRONT	1
14	17269	NIPPLE		1
15-1	13709	ISOLATOR	REAR	2
15-2	13660	ISOLATOR	FRONT	2
15-3	15201	STUD	FRONT ISOLATOR	1
15-4	15210	STUD	FRONT AND REAR ISOLATOR	3
16	16422	BRACKET	PANEL	1
17	13396	CHANNEL	REAR	1



WPD4: MOUNTS - EXTERNAL COMPONENTS

REF	PN	NAME	REMARKS	QUAN
1	20753	STUD	PANEL MOUNTING	2
2	20752	PLATE	PANEL MOUNTING	1
3	20964	NAMEPLATE	PANEL CONTROLS - YCB	1
4-1	20674	PANEL	GENERATOR CONTROL - WITHOUT ELECTRICS	1
4-2	20749	PANEL	GENERATOR CONTROL - COMPLETE	1
4-3	20759	GROMMET	WIRE PROTECTING - CONTROL PANEL	2
4-4	20975	MARKER	TERMINAL BLOCK	1
4-5	16695	BLOCK	PANEL	1
4-6	16724	BLOCK	PANEL	1
4-7	20974	BLOCK	PANEL	1
4-8	11460	DIODE		1
4-9	16696	MARKER	PANEL	1
4-10	16725	MARKER	PANEL	1
4-11	20975	MARKER	PANEL	1
5	20751	ISOLATOR	CONTROL PANEL MOUNTING	4
6	20760	HARNESS	ENGINE TO CONTROL PANEL	1
7	16686	METER	OIL PRESSURE GAUGE	1
8	13340	ELBOW	ENGINE LUBE OIL HOSE	1
9	11981	HOSE	ENGINE LUBE OIL TO OIL MANIFOLD	1
10	20755	MOUNT	GENERATOR SUPPORT - REAR	1
11	13709	ISOLATOR	REAR	2
12	13660	ISOLATOR	FRONT	2
13	17464	PUMP	SEA WATER	1
14	16681	SWITCH	UPPER	1
15	16722	SWITCH	LOWER	1
16-1	11429	SOCKET		1
16-2	11432	LAMP		1
17-1	20757	SOCKET		1
17-2	11467	LAMP		1
18-1	11454	FUSEHOLDER		1
18-2	11464	FUSE		1
19	20578	HARNESS	PANEL	1

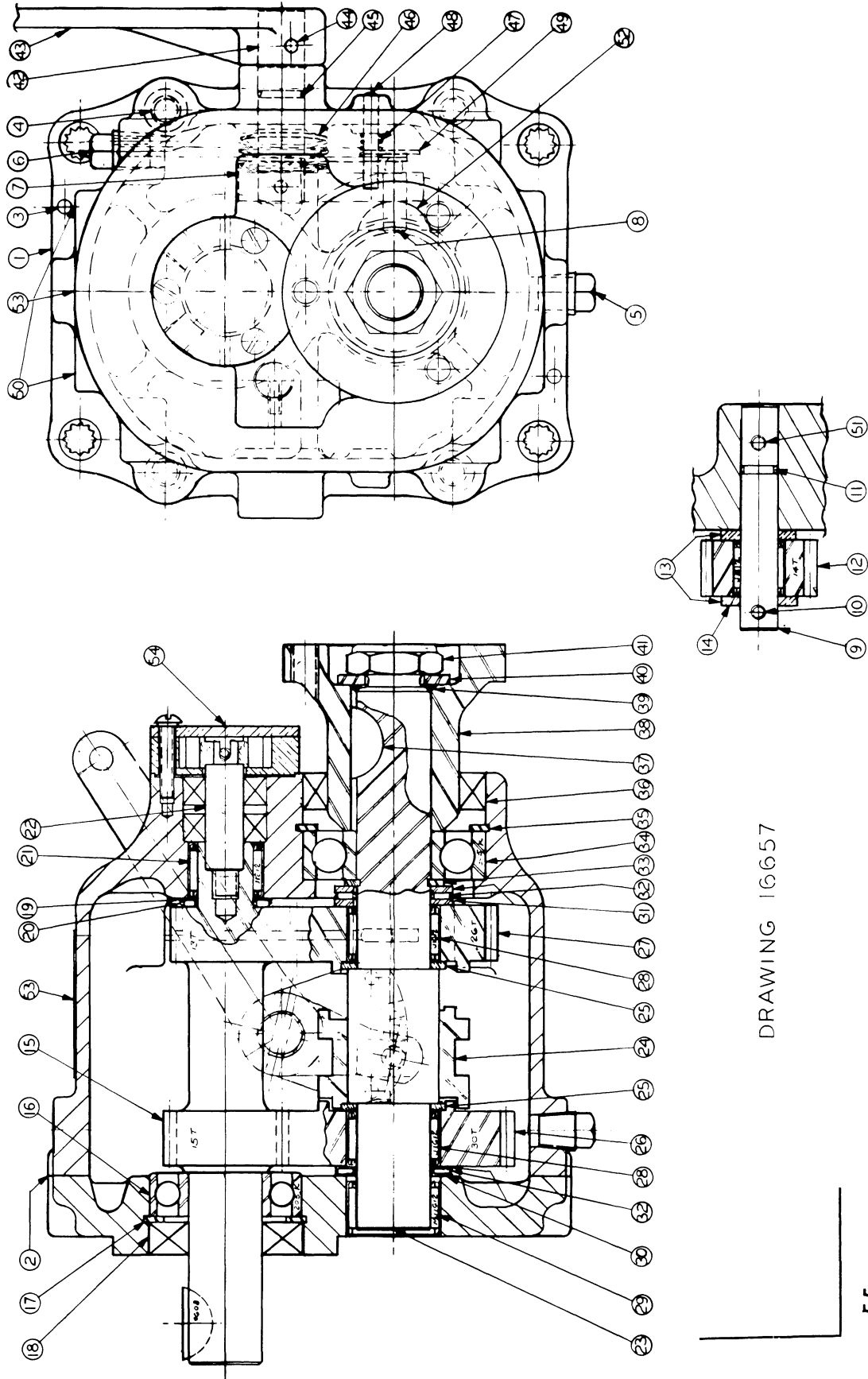
WESTERBEKE 7: MOUNTS - EXTERNAL COMPONENTS



WESTERBEKE 7: MOUNTS - EXTERNAL COMPONENTS

REF	PN	NAME	REMARKS	QUAN
1	19484	PUMP	ASSEMBLY - FRESH WATER	1
2	20695	PULLEY	ALTERNATOR DRIVE	1
3	21720	BELT	ALTERNATOR DRIVE	1
4	11548	PULLEY	ALTERNATOR	1
5	20694	MOUNT	ALTERNATOR SUPPORT	1
6	13660	ISOLATOR	FRONT	2
7	13705	ISOLATOR	REAR	2
8	11969	MANIFOLD	OIL	1
9	11615	PLUG	OIL MANIFOLD	3
10	19219	BRACKET	OIL MANIFOLD TO ENGINE	1

TYPE SSR (W7/DS ENGINES) & SSL (4-60 ENGINE) TRANSMISSION



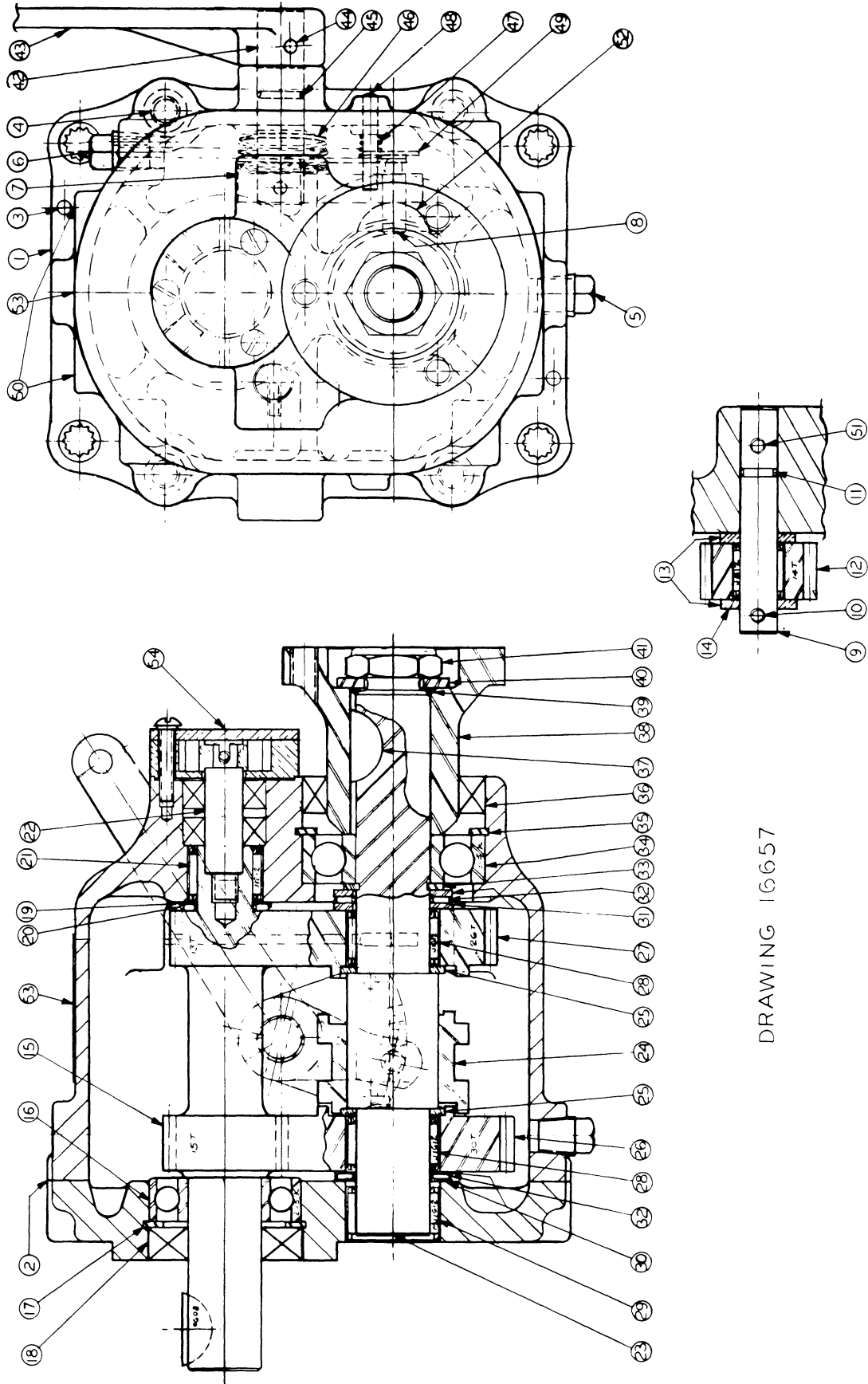
DRAWING 16657

55

TYPE SSR (W7/DS ENGINES) & SSL (4-60 ENGINE) TRANSMISSION

REF	PN	NAME	REMARKS	QUAN
1-1	14998	HOUSING	HOUSING & PLATE ASSEMBLY - W7/DS ENGINES	1
1-2	16310	HOUSING	HOUSING & PLATE ASSEMBLY - FOUR 60 ENGINE	1
1-3	21882	HOUSING	HOUSING & PLATE ASSEMBLY - W7/DS ENGINES	1
2	14993	GASKET		1
3	14990	PIN	ALIGNMENT	2
4	14999	CAPSCREW	12 POINT	4
5	13341	PLUG	PIPE	1
6	14992	DIPSTICK	DIPSTICK AND VENT ASSEMBLY	1
7	14981	ARM	LEVER	1
8	14975	PIN	CLUTCH ACTUATING	1
9-1	14974	SHAFT	IDLER - SHORT - 14998 HOUSING	1
9-2	21883	SHAFT	IDLER - LONG - 21882 HOUSING	1
10	14955	PIN	IDLER SHAFT	1
11	14950	O-RING	IDLER SHAFT	1
12	14983	IDLER		1
13	14973	WASHER	THRUST - IDLER	2
14	14954	BEARING	NEEDLE ROLLER - IDLER	1
15-1	14986	GEAR	DRIVER - W7/DS ENGINES & FOUR 60 ENGINE 2:1	1
15-2	16311	GEAR	DRIVER - FOUR 60 ENGINE 1.3:1	1
16	14969	BEARING	BALL - ASSEMBLY	1
17	14952	RING	RETAINING	1
18	14971	SEAL	INPUT SHAFT	1
19	14962	RACE	THRUST - INPUT SHAFT	1
20	14964	BEARING	NEEDLE THRUST - INPUT SHAFT	1
21	14965	BEARING	NEEDLE ROLLER - INPUT SHAFT	1
22-1	14976	SHAFT	IMPELLER	1
22-2	17217	SHAFT	IMPELLER	1
22-3	17217	SHAFT	8 BLADE IMPELLER - LEFT HAND THREAD	1
23	14872	SHAFT	OUTPUT	1
24-1	14985	CLUTCH	W7/DS ENGINES	1
24-2	16314	CLUTCH	FOUR 60 ENGINE	1
25	14978	WASHER	CLUTCH FACE	1
26-1	14988	GEAR	30T - DRIVEN - W7/DS ENGINES	1
26-2	16312	GEAR	30T - DRIVEN - FOUR 60 ENGINE 1.3:1	1
26-3	16313	GEAR	30T - DRIVEN - FOUR 60 ENGINE 2:1	1
27-1	14987	GEAR	26T - DRIVEN - W7/DS ENGINES	1
27-2	16315	GEAR	26T - DRIVEN - FOUR 60 ENGINE 1.3:1	1
27-3	16316	GEAR	26T - DRIVEN - FOUR 60 ENGINE 2:1	1
28	14966	BEARING	NEEDLE ROLLER - GEAR	2
29	14967	BEARING	NEEDLE ROLLER - BASE	1
30	14960	RACE	THRUST - OUTPUT SHAFT	1
31	14961	RACE	THRUST - OUTPUT SHAFT	1
32	14963	BEARING	NEEDLE THRUST - OUTPUT SHAFT	1
33	14953	RING	RETAINING	1
34	14968	BEARING		1
35	14951	RING	RETAINING	1
36	14972	SEAL	OUTPUT SHAFT	1
37	14957	KEY	OUTPUT SHAFT	1
38	14984	COUPLING		1
39	14958	O-RING	COUPLING	1
40	14980	WASHER	COUPLING	1
41	14970	LOCKNUT	COUPLING	1
42	14996	SHAFT	LEVER ARM	1
43	14997	ARM	LEVER	1

TYPE SSR (W7/DS ENGINES) & SSL (4-60 ENGINE) TRANSMISSION



DRAWING 16657

TYPE SSR (W7/DS ENGINES) & SSL (4-60 ENGINE) TRANSMISSION

REF	PN	NAME	REMARKS	QUAN
44	14956	PIN	LEVER ARM SHAFT	1
45	14959	O-RING	LEVER ARM SHAFT	1
46	14989	WASHER	BELLEVILLE	1
47	14979	SPRING	INDEXING SEGMENT	1
48	14990	PIN	GUIDE - INDEXING - SEGMENT	1
49	14977	SEGMENT	INDEXING	1
50	16119	NAMEPLATE	DRIVE SCREW	1
51	14994	PIN	IDLER SHAFT	1
52	14995	SHOE	CLUTCH	1
53-1	16428	NAMEPLATE	W7/DS ENGINES	1
53-2	16671	NAMEPLATE	FOUR 60 ENGINE	1
54-1	16662	KIT	6 BLADE IMPELLER REPLACEMENT	1
54-2	19007	KIT	8 BLADE IMPELLER REPLACEMENT	1
54-3	16445	KIT	PUMP REBUILD - 6 BLADE IMPELLER	1
54-4	19006	KIT	PUMP REBUILD - 8 BLADE IMPELLER	1
54-5	15263	BODY		1
54-6	15271	SCREW	COVER TO PUMP HOUSING	2
54-7	16663	SEAL		1
54-8	15257	COVER		1
54-9	19005	WASHER	COVER TO PUMP HOUSING	1
55-1	16396	TRANSMISSION	COMPLETE - W7/DS ENGINES	1
55-2	11192	TRANSMISSION	COMPLETE - FOUR 60 ENGINE 1.3:1	1
55-3	11853	TRANSMISSION	COMPLETE - FOUR 60 ENGINE 2:1	1

WESTERBEKE 7/DS/WPD3/WPD4: MISCELLANEOUS

REF	PN	NAME	REMARKS	QUAN
1-1	17484	GASKET	SET - UPPER - 5HP	1
1-2	21607	GASKET	SET - UPPER - 7HP	1
2	17485	GASKET	SET - LOWER	1
3	11592	PUMP	SUMP - LUBE OIL	1
4	16743	SWITCH	GENERATOR - OFF-SHORE POWER	1

